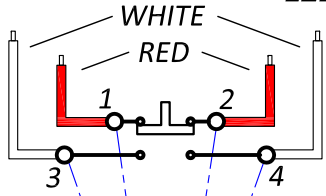


WR5276 SERIES

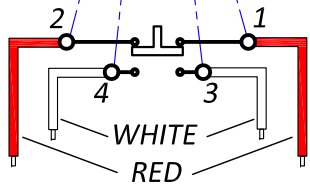
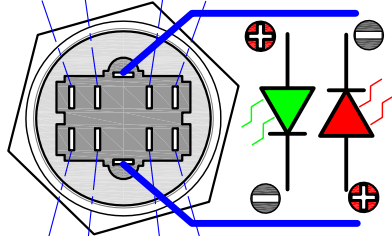
HEAVY DUTY WEATHERPROOF PUSHBUTTONS

- WR5276-HD28** ALTERNATE ACTION
- WR5276-HD28XLRG** ALTERNATE ACTION WITH BI-COLOR LIGHTED RING
- WR5276-HD29** MOMENTARY ACTION
- WR5276-HD29XLRG** MOMENTARY ACTION WITH BI-COLOR LIGHTED RING

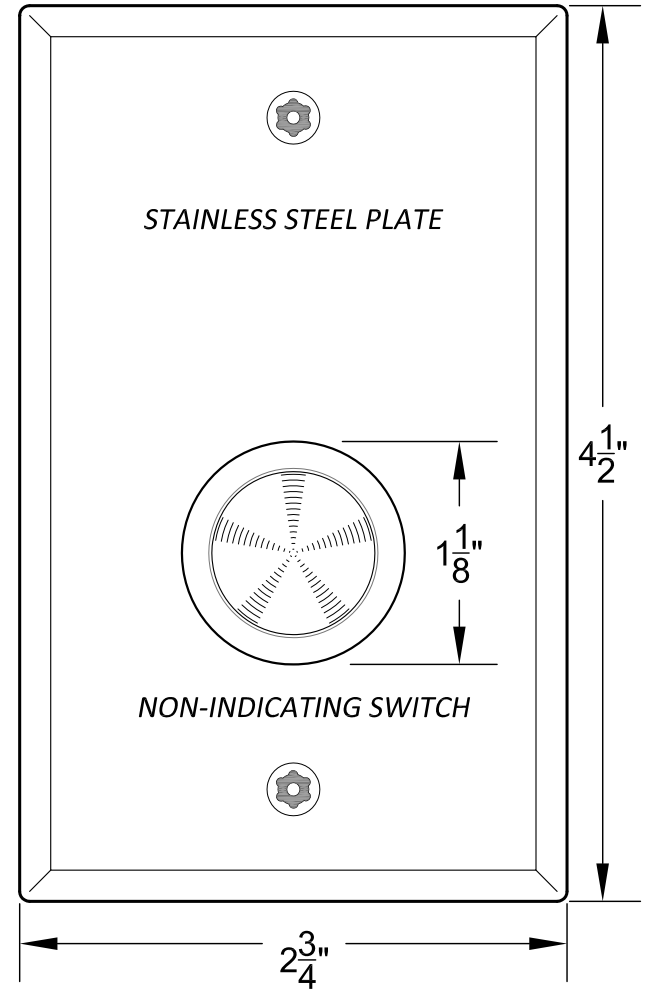
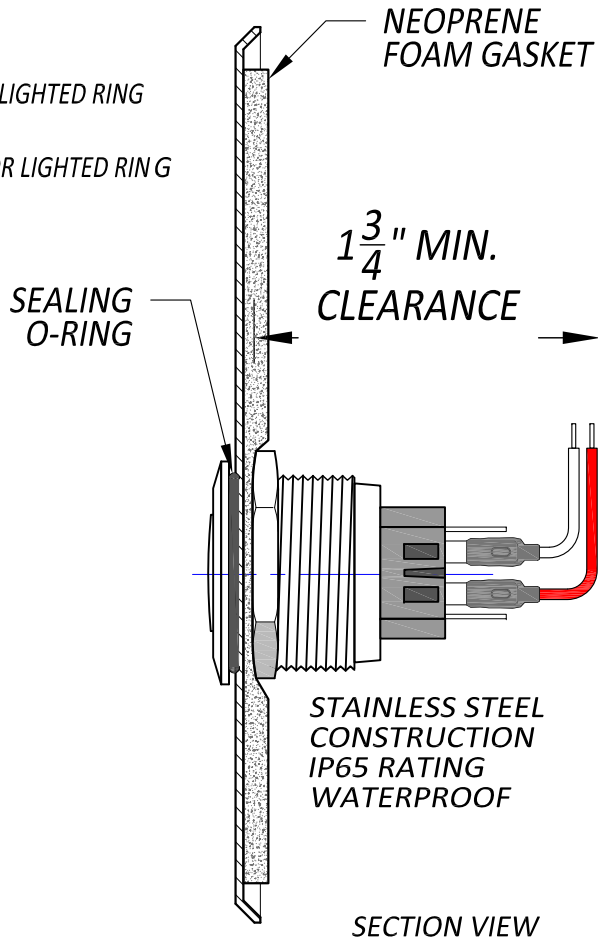
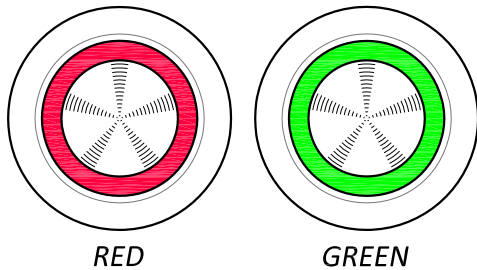
LED REQUIRES 24 VDC



REVERSE POLARITY TO CHANGE LED COLOR



ILLUMINATED RING INDICATOR



ENGRAVING OPTIONS:

- XE1 - "PUSH TO EXIT"
- XE2 - "PANIC"
- XE3 - "EMERGENCY RELEASE"
- XE4 - "PUSH TO RELEASE"
- XE5 - "EMERGENCY DOOR RELEASE"
- XE6 - CUSTOM ENGRAVING

CONTACT RATING:
 2 AMPS @ 24 VDC
 2 AMPS @ 120 VAC
 1 AMP @ 220 VAC

LED RATING:
 24 Volts DC
 PEAK CURRENT 120 mA
 OPERATING CURRENT < 20 mA

REV -

WR5276 SERIES MOUNTING.DWG

PAGE 1 OF 2

WR5276-SERIES

DATE: 6/11/13

BY: JFH

HEAVY DUTY WEATHERPROOF STAINLESS STEEL SWITCH



DORTRONICS
 SYSTEMS, INC.
 SAG HARBOR, NY
 800-906-0137

