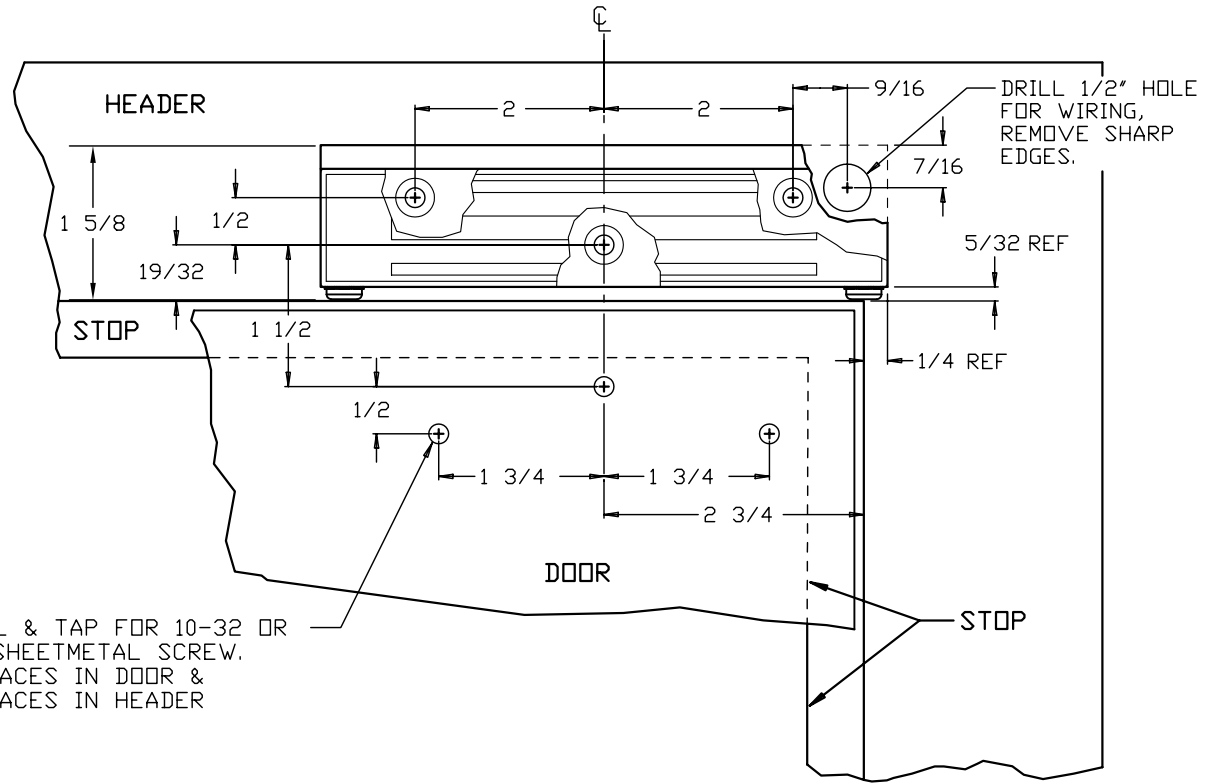
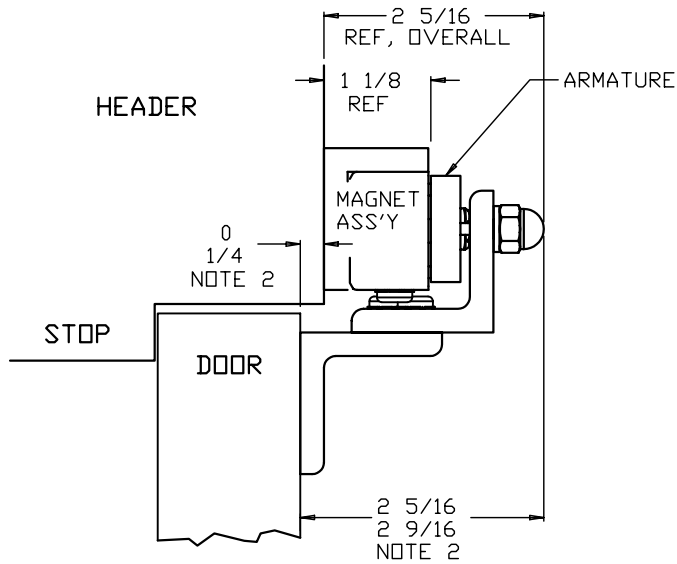
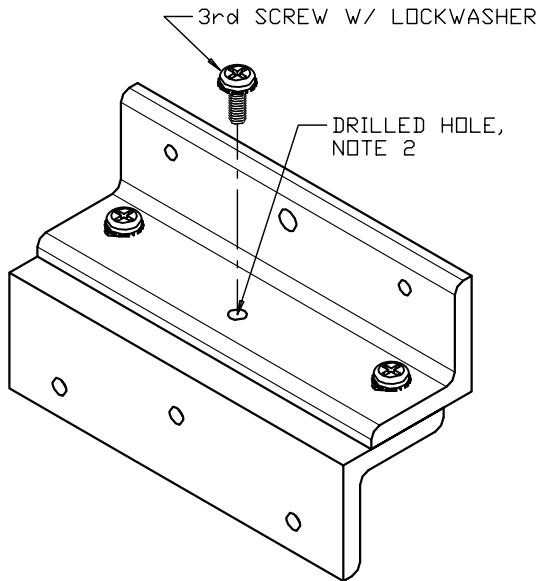


BEFORE INSTALLING, READ MOUNTING INSTRUCTIONS THOROUGHLY!



DRILL & TAP FOR 10-32 OR #10 SHEETMETAL SCREW. 3 PLACES IN DOOR & 3 PLACES IN HEADER

3111196-31L ADJUSTABLE Z-BRACKET ASS'Y:



NOTES:

1. A TYPICAL OFFSET FROM SIDE JAMB IS SHOWN. MAXIMUM OFFSET IS 3/8", AND WHILE BEST HOLDING FORCE EFFECT IS OBTAINED NEAREST THE DOOR EDGE, THE UNIT MAY BE LOCATED CLOSER IN TO THE HINGE SIDE OF THE DOOR IF NECESSARY FOR A FIRM MOUNTING.
2. ADJUSTABLE Z-BRACKET COMPENSATES FOR VARYING DOOR/FRAME RELIEFS- UP TO 1/4". AFTER DRILLING MOUNTING HOLES AND MOUNTING MAGNET ASS'Y, USE SLOTS IN ADJUSTABLE Z-BRACKET TO OBTAIN PROPER POSITIONING OF ARMATURE THEN USING 3rd TAPPED HOLE, MARK TOP ANGLE, DISASSEMBLE Z-BRACKET, DRILL 13/64 CLEARANCE HOLE FOR 3rd SCREW, AND RE-ASSEMBLE.

WIRING ELECTRICAL SPECS:

BLUE LEADS 85 mA MAX @ 24VDC  
GRAY LEADS 160 mA MAX @ 12VDC

TITLE TJMM300-L TOP JAMB MOUNT WITH 3111196-31L Z-BRACKET ASS'Y FOR INSWINGING DOOR INSTALLATION

**DORTRONICS**  
SYSTEMS, INC.

(NC) (NC)

(NC)

DRAWN GSG DATE 7/2/02 SCALE TO FIT CAD FILE TTJMM300N-1

DWG. NO. TTJMM300N-1 REV. NC

REV. REVISION DESCRIPTION

DATE

APPR. XXX DATE XX/XX/XX

UNITS INCHES

SHEET 1 OF 1 SIZE A