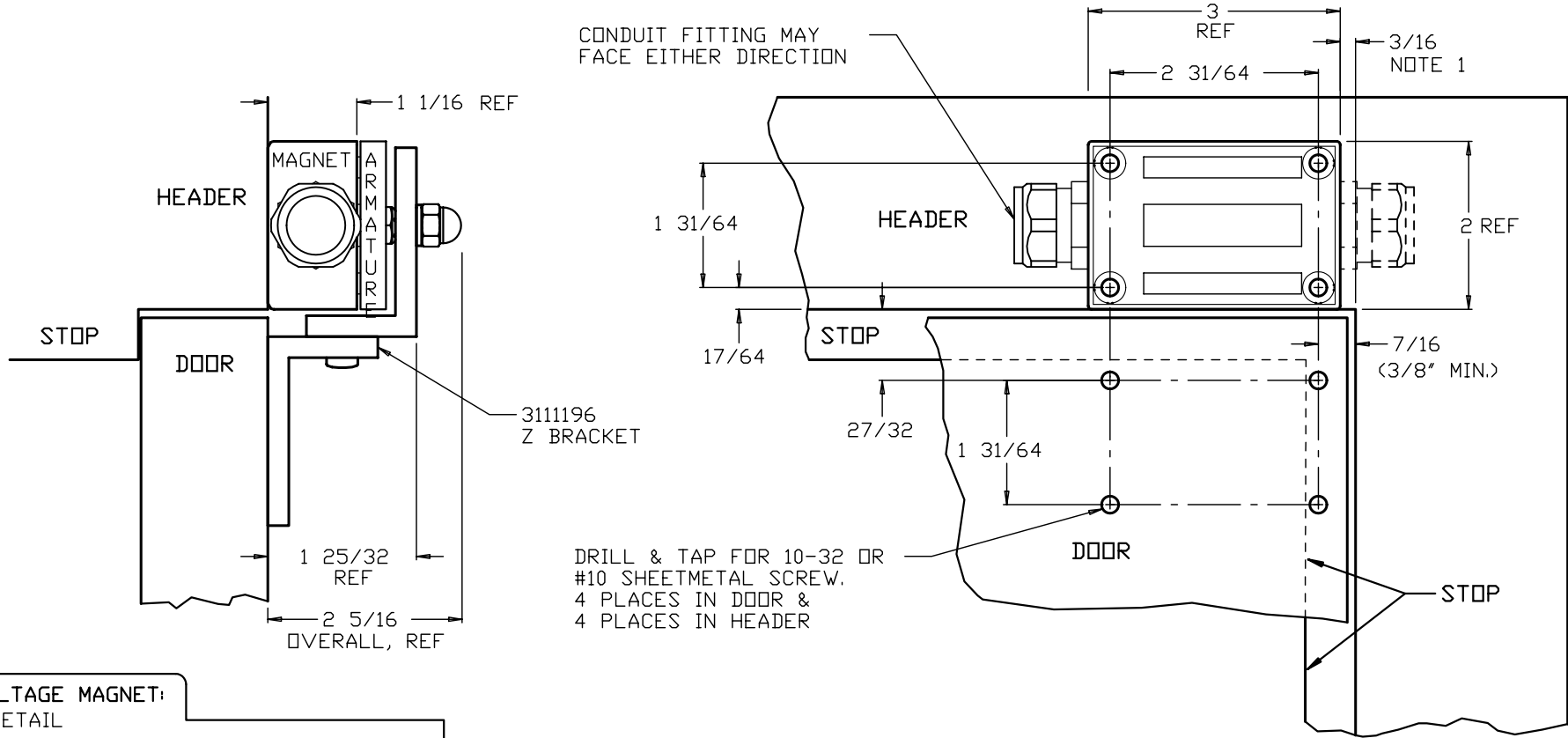
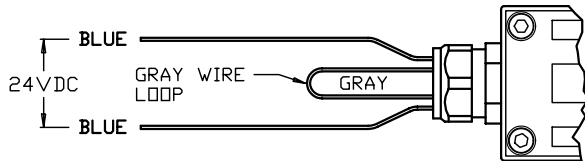


BEFORE INSTALLING, READ MOUNTING INSTRUCTIONS THOROUGHLY!

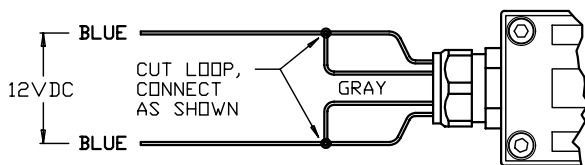


DUAL VOLTAGE MAGNET: WIRING DETAIL

24 VOLT CONNECTION (FROM FACTORY)



12 VOLT CONNECTION (FIELD MODIFIED)



SPECS:
170 mA MAX @ 24VDC
340 mA MAX @ 12VDC

NOTES:

1. A TYPICAL OFFSET FROM SIDE JAMB IS SHOWN. MINIMUM OFFSET IS 1/8", AND WHILE BEST HOLDING FORCE EFFECT IS OBTAINED NEAREST THE DOOR EDGE, THE UNIT MAY BE LOCATED FURTHER AWAY IF NECESSARY FOR A FIRM MOUNTING.

TITLE TJMM300 TOP JAMB MOUNT WITH 3111196 Z-BRACKET FOR INSWINGING DOOR INSTALLATION

DORTRONICS SYSTEMS, INC.

(NC) (NC)

(NC)

DRAWN	GSG	DATE	5/2/02	SCALE	TO FIT	CAD FILE	TTJMM300-1
APPR.	XXX	DATE	XX/XX/XX	UNITS	INCHES	SHEET	1 OF 1

DWG. NO.	TTJMM300-1	REV.	NC
----------	------------	------	----

REV. REVISION DESCRIPTION

DATE

SIZE A