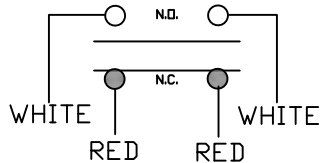


PNEUMATIC DELAY

-P23DA

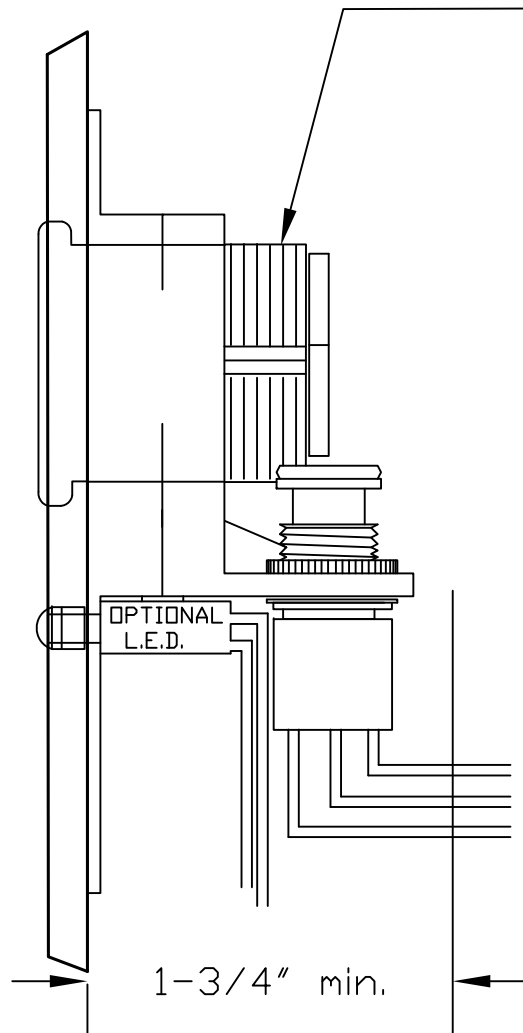
10 amps MAX



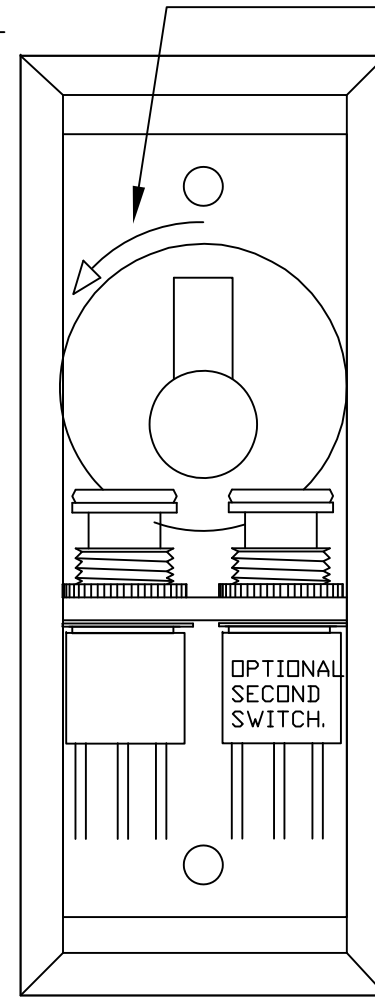
SPECS:

KEY SWITCH RATING:
 3A @115VAC OR 28VDC
 UL RECOGNIZED/CSA CERTIFIED
 FACE PLATE: .032 THICK STAINLESS
 CYLINDER HOUSING: CAST ALUMINUM
 L.E.D. RATING: .02A @24VDC

SHOWN WITH "XK"
 OPTIONAL CYLINDER
 1-1/8" OR 1-1/4"

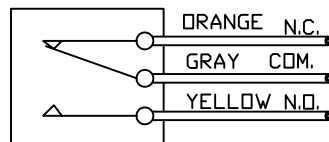


ACTUATOR ROTATION
 STANDARD CAM REQUIRED



MAINTAINED CONTACTS

-P24

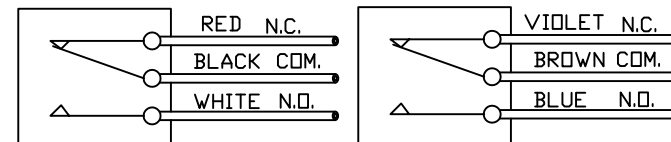


OPTIONAL
 BI-COLOR L.E.D.



MOMENTARY CONTACTS

-P25



5141 SERIES

KEY SWITCH WITH
 LED/CYLINDER OPTIONS



**DORTRONICS
 SYSTEMS, INC.**

SAG HARBOR, NY
 800-906-0137