



## 6510/COV/S & SR ANTI-TAMPER ALARM COVER

**Reduce Exit Door Alarms**

**Stop Unauthorized Door Release**

**Local Alarm Piezo Sounder**

**Optional Remote Alarm Output**

**Protects Devices From Weather**

**Available in Flush or Surface Mount**



### **Cover Deters Unauthorized Door Release**

This unique device will deter unauthorized door openings without restricting emergency egress when used with the 6510-S35 Emergency Pull Station. The cover with sounder 6510/COV/S can reduce false alarms through its pre-alarm local audible warning. Ideal for installation in schools, hospitals, nursing homes, stores, hotels and public buildings of almost every kind. Model 6510/COV/SR in addition to the sounder incorporates a SPDT alarm output for remote monitoring.

### **Heavy Duty Construction**

The 6510/COV/S Anti-Tamper Alarm Cover consists of a clear, tamper proof, super tough polycarbonate shield and frame that fits over the 6510-S35 Emergency Pull Station. When utilizing the 6510/COV/S a local alarm sounds when the clear plastic cover is lifted to gain access to the Emergency pull handle for door release. A piercing alarm sounds which is field selectable for 95 dB or 105 dB. Immediate attention is drawn to the area and a prankster will either run or be caught. When the cover is lifted, the horn will sound until the cover is lowered back into the closed position.

### **Battery or On-line Low Voltage Power**

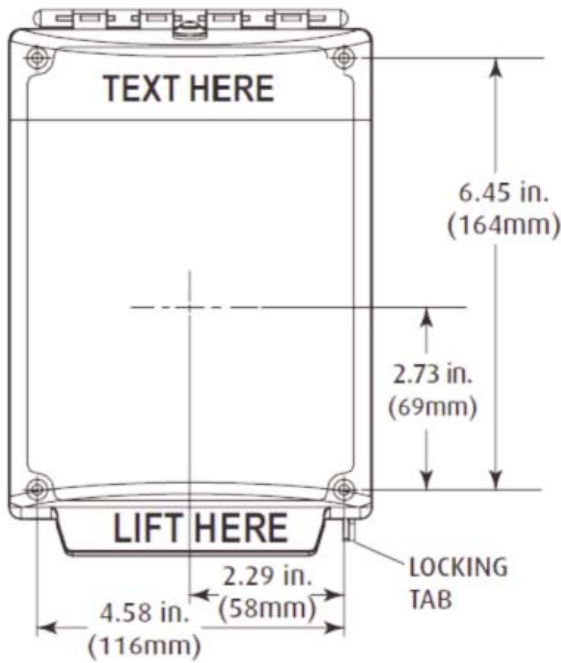
The 6510/COV/S & /SR covers can operate independently from a standard 9-volt battery or may be powered remotely with 12/24 VDC. The 6510/COV/SR comes with remote wiring capability. The 6510/COV/S has the same capability by utilizing the optional 65-6319 wiring harness. *(order separately if required)*

### **Alarm Interface**

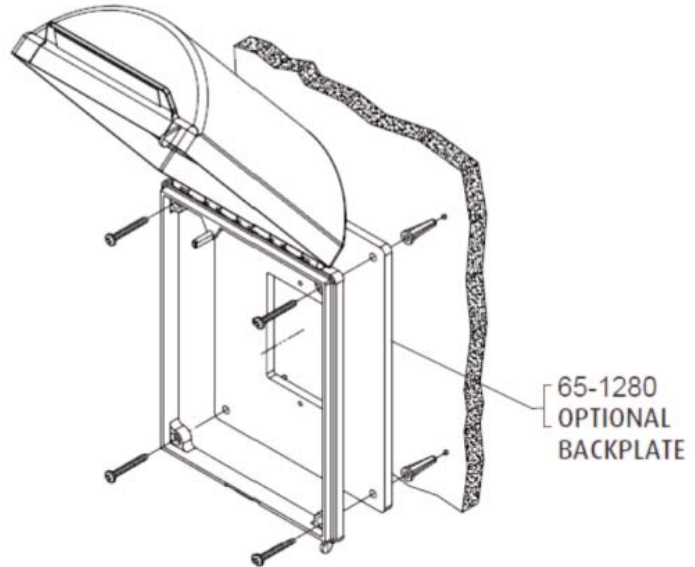
The 6510/COV/SR with Piezo sounder includes a relay with SPDT contacts which is energized whenever the cover sounder is activated by lifting. This output can be used to alert other remote systems. When used with the 6510-S35xCS, the on-board SPDT relay can be used to activate the optional built-in xCS sounder of the pull station. This will cause both sounders to activate while the cover is lifted. If the pull handle is operated, the optional pull station sounder will continue to sound, even if the plastic cover is closed, requiring authorized personnel to respond & reset the handle on the 6510-S35xCS pull station

*(6510-S35 Pull stations are not included with 6510/COV series covers; order separately)*

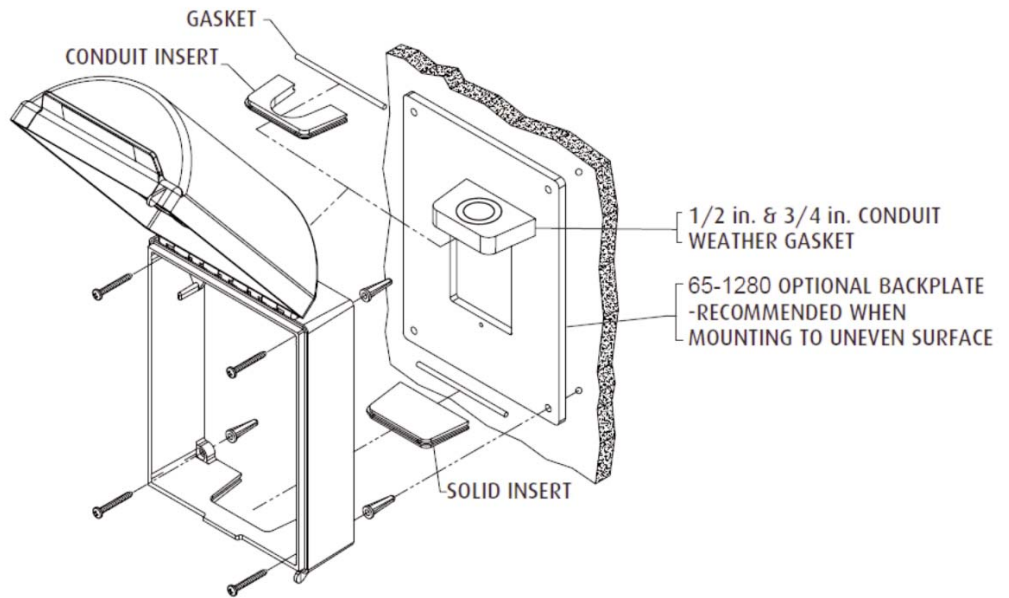
# 6510/COV/S & SR ANTI-TAMPER ALARM COVER



## Flush Mounting #6510/COV



## Surface Mounting 6510/COV-X



### Models:

**6510/COV/S** - Flush mount unit with sounder

**6510/COV/S-X** - Surface mount unit with sounder, 1-3/4" deep extension & conduit gaskets.

**6510/COV/SR** - Flush mount unit with Sounder & SPDT Relay

**6510/COV/SR-X** - Surface mount unit with sounder & SPDT Relay 1-3/4" deep extension & conduit gaskets.

### Specifications:

Dimensions (inside dimensions)

**6510/COV/S & SR Flush Mount**

4-7/8" wide x 6-3/4" high x 2-1/2" deep

**6510/COV/S & SR-X Surface Mount**

4-7/8" wide x 6-3/4" high x 3-7/8" deep

### Electrical

**6510/COV/S** (With Sounder)

The standard power source is 9 VDC alkaline battery; (included)

An Optional Remote Wiring Harness is available #65-6319 for remotely powering the horn which is field selectable for 90 db or 105 db output at one foot.

**6510/COV/SR** (With sounder & Relay)

Includes 1 SPDT alarm relay output with contacts rated 1 amp @ 30 VAC/VDC Standard power source is remote 12/24 VDC power source. May also be powered from a 9 VDC alkaline battery (included). Units have standard blue highlight with white lettering

"EMERGENCY EXIT ONLY"

For custom text option specify text and suffix XE6 (6510/COVXE6)

Plexiglass Cover

Polycarbonate tested for -40 F to 284 F  
Clear cover UV-stabilized

### Approvals:

UL Certified to meet ADA  
Compliance  
UL S2466



1668 SAG HARBOR TURNPIKE, SAG HARBOR, NY 11963  
www.dortronics.com - (800) 906-0137 - (631) 725-8148 FAX