

Parts Provided (per mounting option)



6510/COV/S (W/SOUNDER) Qty.		Flush	Surface
FLUSH MOUNT TYPE ONLY			
Cover Assembly	1	X	X
#6 x 1 1/4" Phil Pan Hd Screw	4	X	X
Plastic Wall Anchor	4	X	X
6510/COV/S-X W/SOUNDER & SPACER			
SURFACE MOUNT TYPE ONLY			
Solid Insert	2		X
Conduit Insert	2		X
1/2" & 3/4" Conduit Weather Gasket	2		X
3 Inch Gasket	2		X

Approvals

It has been tested and approved or listed by:

- UL Certified to meet ADA Compliance

PATENTS:

United States No. 4,267,549, Canada No. 1,147,828

Specifications

Polycarbonate Enclosure

- Flammability - cover and frames: UL 94 V-2,
- Cover wall thickness 0.12 inches

Gaskets

3" Gasket - Neoprene 1/8"

Mounting Gasket (embedded in housing at factory prior to shipping) - Two part polyurethane 1/2" or 3/4" Conduit Weather Gasket - Closed Cell IV-2

(With optional #65-6319 remote wiring harness)

Horn

- Low (95 dB @ 1 ft.)
- High (105 dB @ 1 ft.)
- Min. Operating Req.

9V (Battery included)

40mA
105mA
2V @ 20mA

12V

38mA
125mA
4V @ 20mA

24V

22mA
95mA
4V @ 20mA

Temperature Range

- Electronics Operating Range: -40° to 120°F (-40° to 49°C) **Below -4°F (-20°C), a remote power source is recommended**
- Polycarbonate Rated: -40° to 284°F (-40° to 140°C)

Warranty

Three year guarantee against breakage of polycarbonate in normal use (one year on electro mechanical and electronic components).

Important Notice (when used on fire systems)

The Unit is intended to be used in areas where the incidence of false fire alarms from manual pull stations is high or has proven to be a serious problem. Any disadvantage of this device is more than balanced when one considers the consequences of false fire alarms, especially if fire service personnel and equipment are responding to a false fire alarm when they are needed for a real fire somewhere else. Add to this, the disruption to the facility when false alarms occur. If you have, or may have, a problem with false fire alarms or physical/weather damage to your fire alarm activation devices, the Unit could prove invaluable.

Installation Notes

- UL Listing does not permit connection of horn contacts to fire alarm or life safety devices.
- According to UL Listing, models powered from an external power source cannot be supplied from the fire alarm panel.
- When properly installed, the operation of this cover will not interfere with the function of your life safety system.
- Horn operation and performance must be tested annually. Battery replacement is recommended annually dependent on usage and battery expiration date.
- Ensure the service pin is properly inserted in the service pin receptor to silence horn while performing installation or servicing horn.
- If mounting to an uneven surface, a backplate is recommended to help ensure proper sealing to mounting surface.
- The backplate may be drilled if wire access or screw mounting holes are needed.

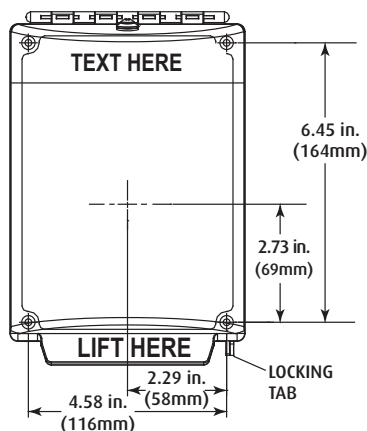


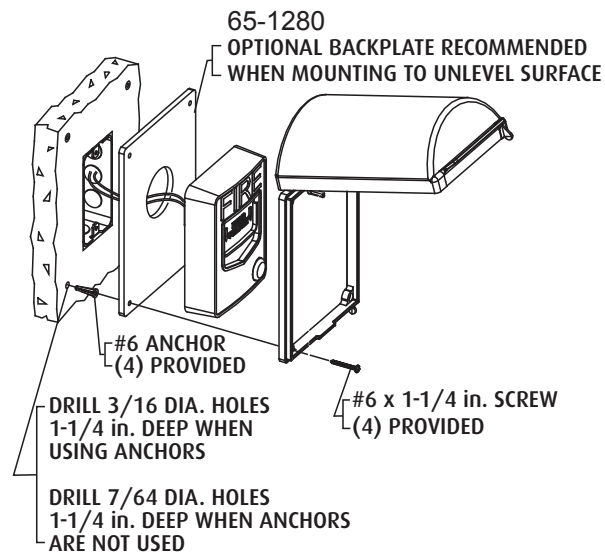
Fig. 1

Installation Instructions

1. Center the pull station with the help of the dimensions in Fig. 1. Open cover and use the mounting frame or optional backplate to mark the mounting hole locations as in Fig. 1. **Be sure the entire cover travel will not interfere with operation of the pull station or other safety system equipment when installed.**

2. If drilling into wood, four #6 x 1 ¼" screws (provided) should be used without anchors and the mounting holes should be drilled 7/64" diameter to a depth of 1 ¼". If drilling into masonry or drywall (sheet rock), the wall anchors (provided) should be used and the mounting holes drilled 3/16" diameter to a depth of 1 ¼".
3. Refer to Fig. 2 and 3 for illustrations of the different mounting configurations (FLUSH or SURFACE). For additional seal reliability, a silicone sealant may be applied between optional backplate and wall.
4. (For the SURFACE mounting option only) Note that the inserts fit flush to the housing only in one orientation (see Fig. 4). Prior to applying either of the Conduit Weather Gaskets, ensure proper orientation and fit of the desired inserts from the top or the bottom of the housing.
5. (For the SURFACE mounting option only) After noting the proper insert orientation, fit the appropriate Conduit Weather Gasket size (1/2" or 3/4") to the conduit. Then fit the gasket to the Conduit Insert or directly to the housing knock-out. Repeat this step with the appropriate installation on the opposite. **For additional seal reliability, a bead of silicone may be applied to the conduit fitting.**
6. (For the SURFACE mounting option only) Use the 3" gaskets (provided) to complete the seal across the top and bottom insert locations. Overlap 1/8" of the existing Mounting Gasket on the body, run the cord into the preformed channel until it overlaps 1/8" of the opposing Mounting Gasket. **The 3" gasket may need to be trimmed for a proper fit and seal.**
7. Align mounting holes in frame to the screw holes made in the wall. If applicable, ensure a proper seal is made between the wall and the Mounting Gasket. If needed, use optional Backplate.

**Fig. 2 - FLUSH MOUNTING OPTION
6510/COV/S**



8. Make any external connections for remote power options if needed. (When using HORN option refer to Fig. 4 for wiring details.) **9V battery acts as backup power source when using remote power.**

9. Close cover.

**Fig. 3 - SURFACE MOUNTING OPTION
6510/COV/S-X**

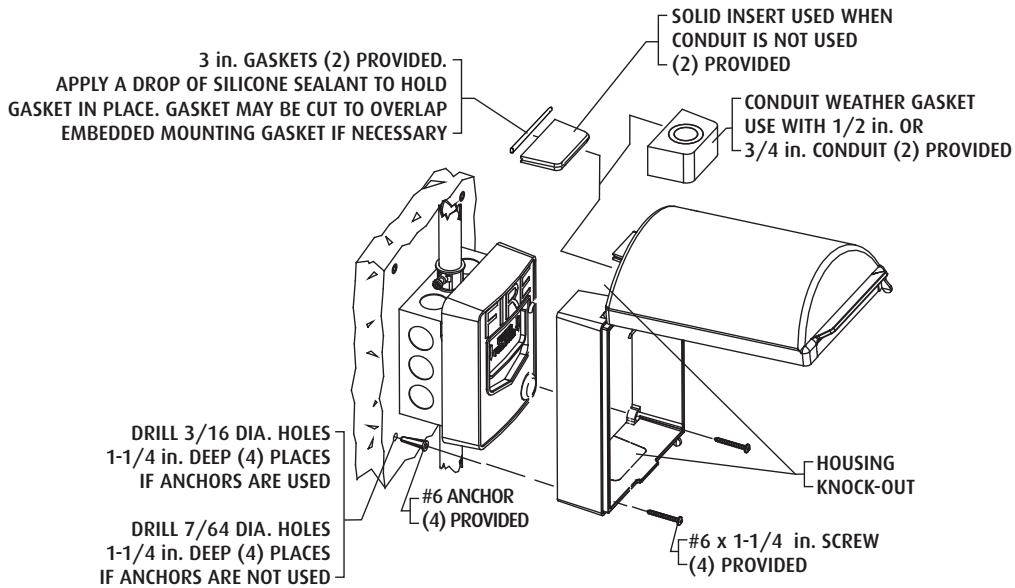
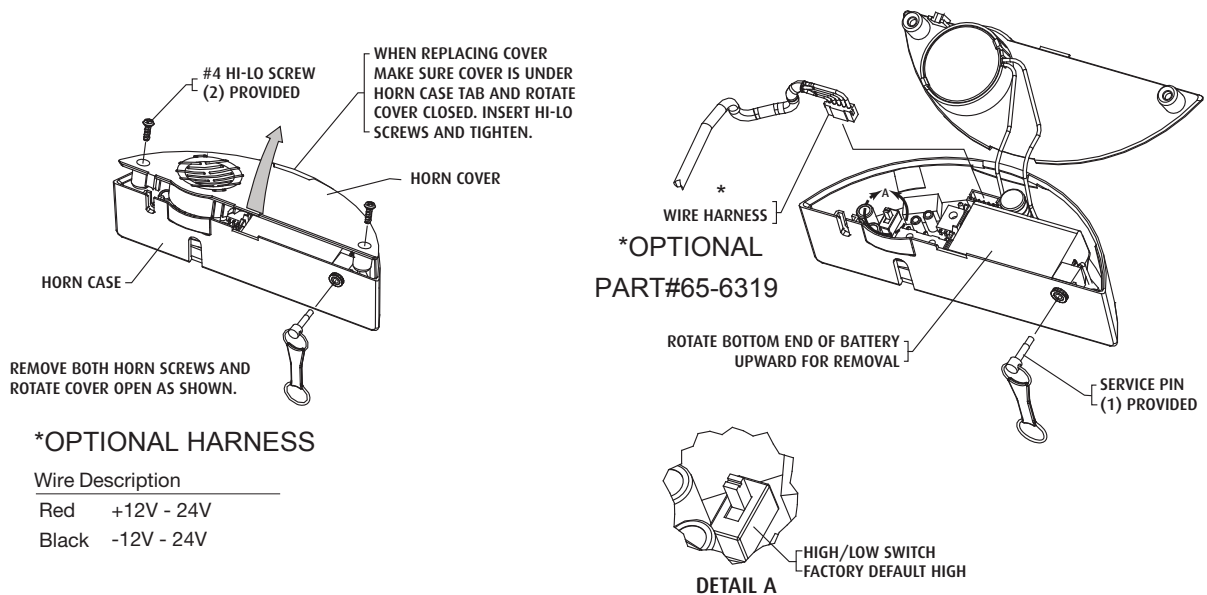


Fig. 4 - HORN OPTION ADJUSTMENT / WIRING & POWER



17. (When using HORN option) Remove the Service Pin and horn should sound. Close cover and horn should silence.
18. (When using HORN option) To test switch activation, open cover and horn should sound. Close cover and horn should silence. **When performing annual battery test/replacement or whenever servicing alarm system, insert the Service Pin into the Service Pin Receptor to prevent horn from sounding. Remember to remove Service Pin to return to normal operation.**

Gasket Installation

Use of gaskets is necessary to ensure a proper seal in weatherproof applications. The cover ships complete with all necessary gaskets and should be used accordingly. The Mounting Gasket is included on all products and is embedded in the factory prior to shipping. Two 3" gaskets are shipped with the SURFACE mount Unit refer to Step 8 in the installation instructions. Each 3" gasket is intended to be used with the inserts also shipped with the SURFACE mount Unit. To install, the insert should first be fitted in place in the correct orientation. Then, overlap 1/8" of the existing Mounting Gasket on the Unit housing, run the cord into the preformed channel until it overlaps 1/8" of the opposing Mounting Gasket.

Horn Battery Replacement and Hi/Lo Volume Changing Instructions

1. Obtain the Unit Service Pin, a small Phillips screwdriver, a 3/32" allen wrench (if desired) and replacement 9V battery.
2. Open the Unit cover. The horn should sound. Insert the Service Pin into the Service Pin Receptor. The horn should silence.
3. (If desired) While holding the horn with one hand, remove the button head screw on the front of the cover. Then, perform the following actions with the horn separately.
4. Use the Phillips screwdriver to remove the two horn housing cover screws.
5. Replace the battery with a 9V battery only.
6. (If desired) Change the Hi/Lo switch position (Fig. 5, Detail A).
7. Replace the horn housing cover and screws.
8. (To be performed if horn was removed) Orient the horn at the top of the Unit cover, and replace the button head screw.
9. Remove the Service Pin and horn should sound. Close cover and horn should silence.

Polycarbonate Cleaning Instructions

Rinse with water to remove abrasive dust and dirt. Wash with soap or mild detergent, using a soft cloth. Rinse once more then dry with a soft cloth or chamois. Exercise caution when using water inside enclosure. Make sure unit is completely dry inside before reassembling. To remove grease or wet paint from exterior of cover, rub gently with a soft cloth thoroughly wetted with Naptha. Then wash and rinse. **Do not use razor blades.**

OPTIONS

Part Number	Description
65-1280	Backplate
65-6319	Remote Wiring Harness

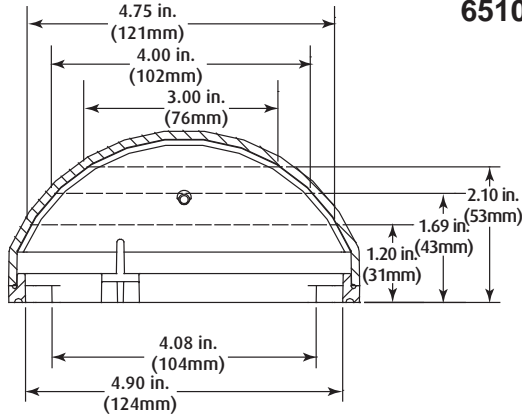
6510/COV-S

Product Dimensions

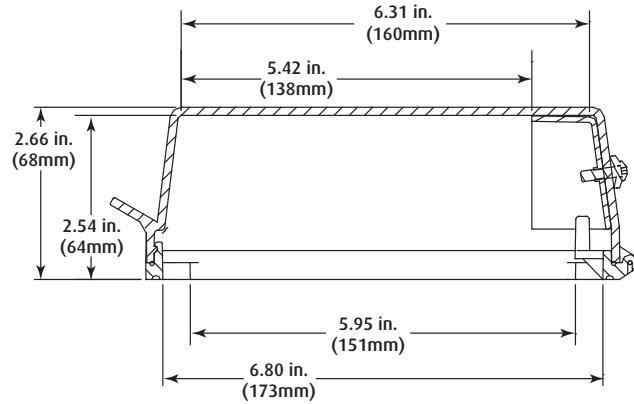
EXTERNAL DIMENSIONS

- FLUSH #6510/COV/S 5.4 W x 8.15 H x 2.66 in. D (137 x 207 x 68 mm)
- SURFACE #6510/COV/S-X 5.4 W x 8.15 H x 4.00 in. D (137 x 207 x 102 mm)

FLUSH MOUNT DIMENSIONS 6510/COV/S

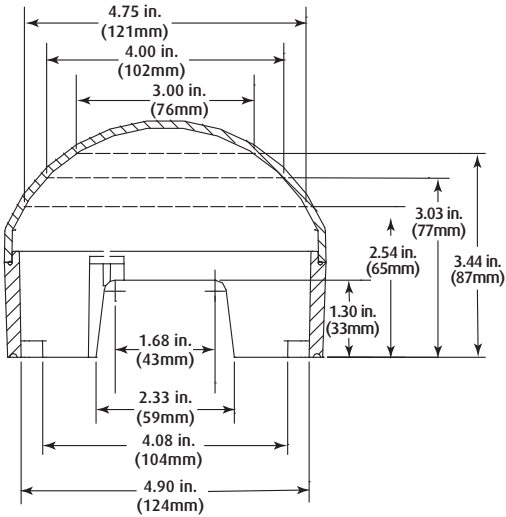


END VIEW

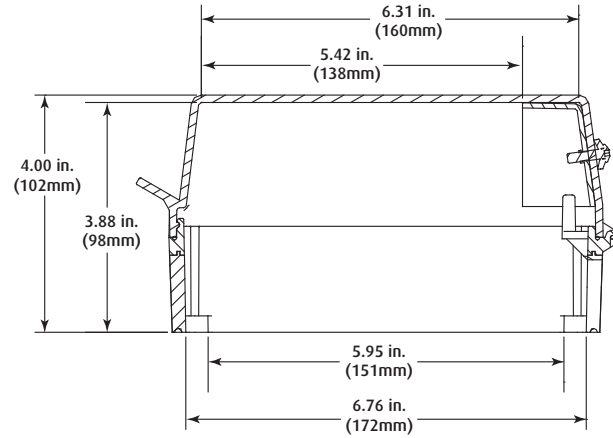


SIDE VIEW

SURFACE MOUNT DIMENSIONS 6510/COV/S-X



END VIEW



SIDE VIEW