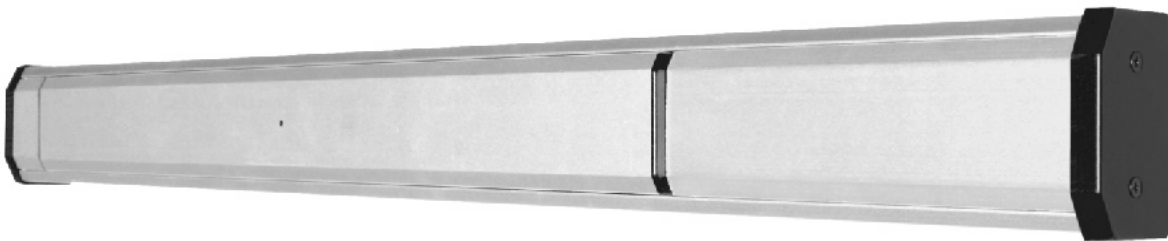




6420 Series Egress Bar

Mounting Instructions

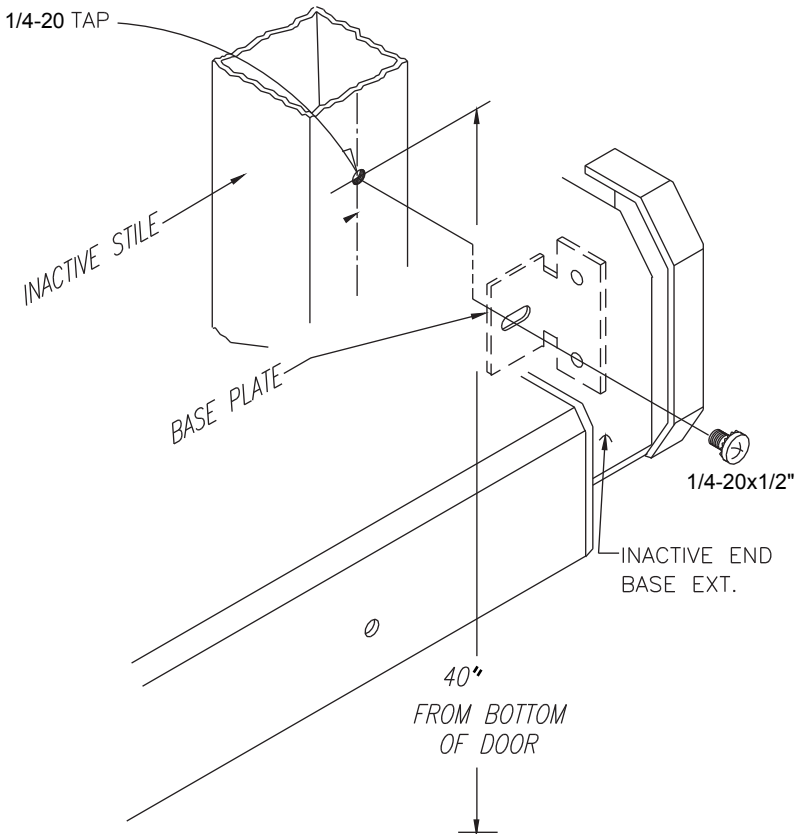


Step #1

Locate mounting hole on inactive stile.

Drill and tap 1/4-20 threads. 40" from bottom of door.

Cut length of bar off of inactive end if necessary to accommodate smaller width doors leaving enough length for the base plate & optional switch assembly bracket.



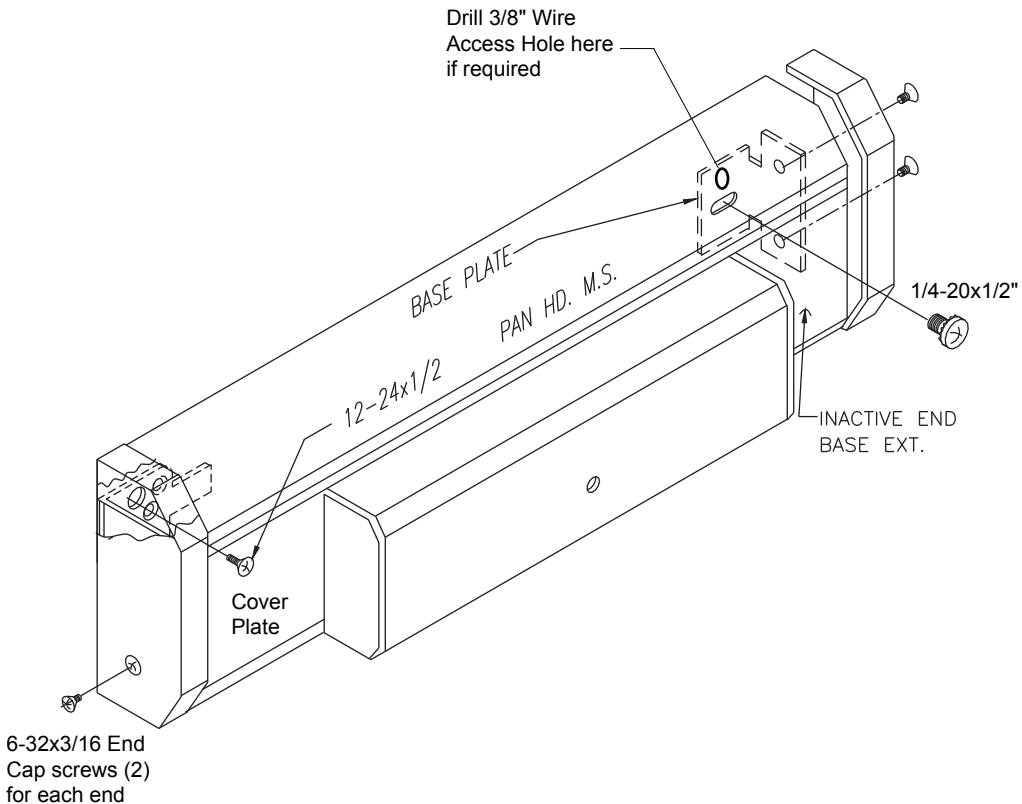
Step #2

Exit device attachment.

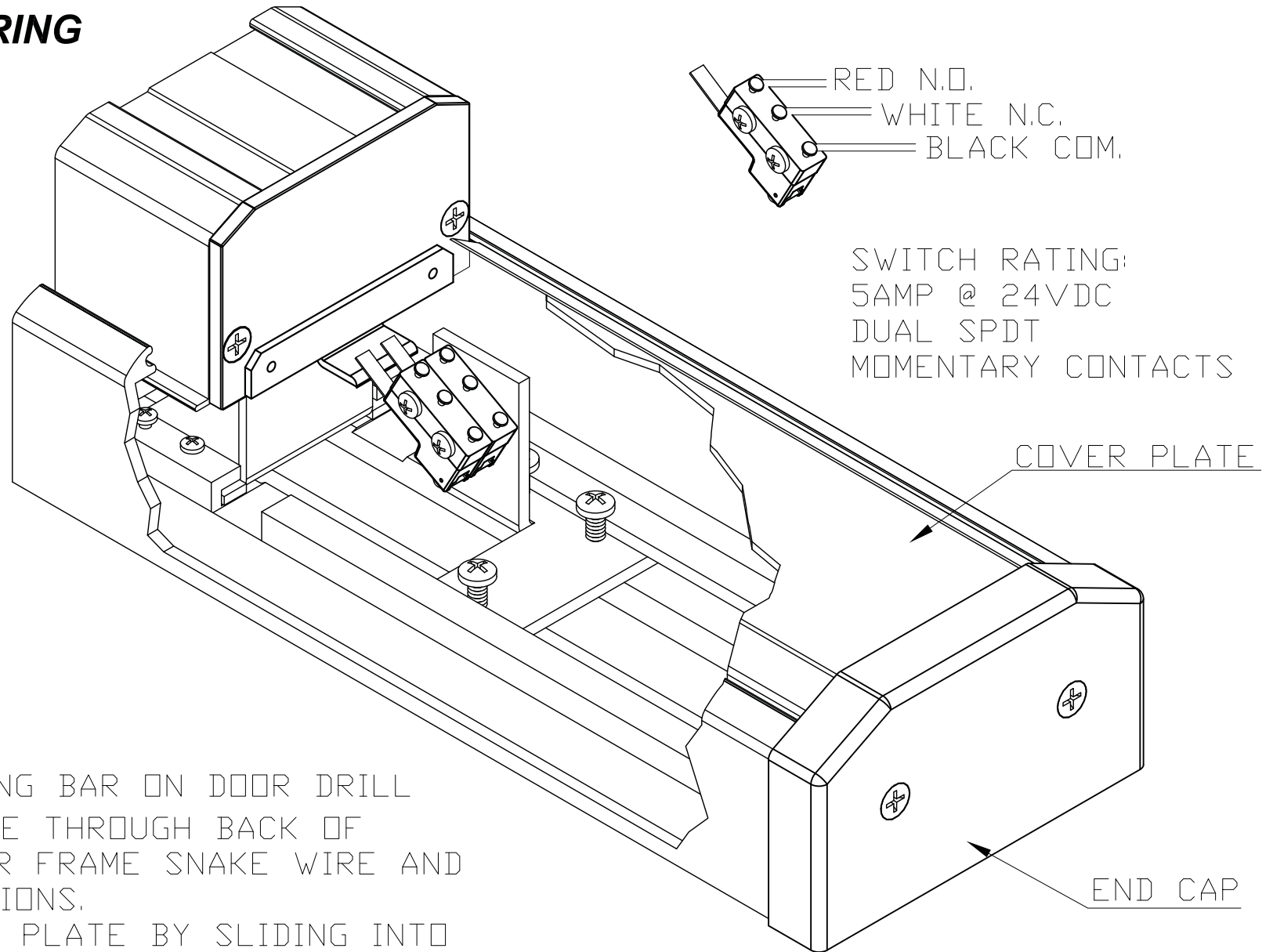
Level & Secure active end of panic by installing two 12-24x1/2 pan HD.M.S. Secure inactive end with single 1/4-20x1/2 round HD.M.S. (phil.) with washer through inactive base plate.

Once inactive base plate is secure drill 3/8" wire access hole thru plate & bar into inactive stile. Pull wires and make connections in inactive end of bar.

Proceed by sliding in cover plates and end covers with (2) 6-32 x 3/16 flat head screws on each end of panic base.

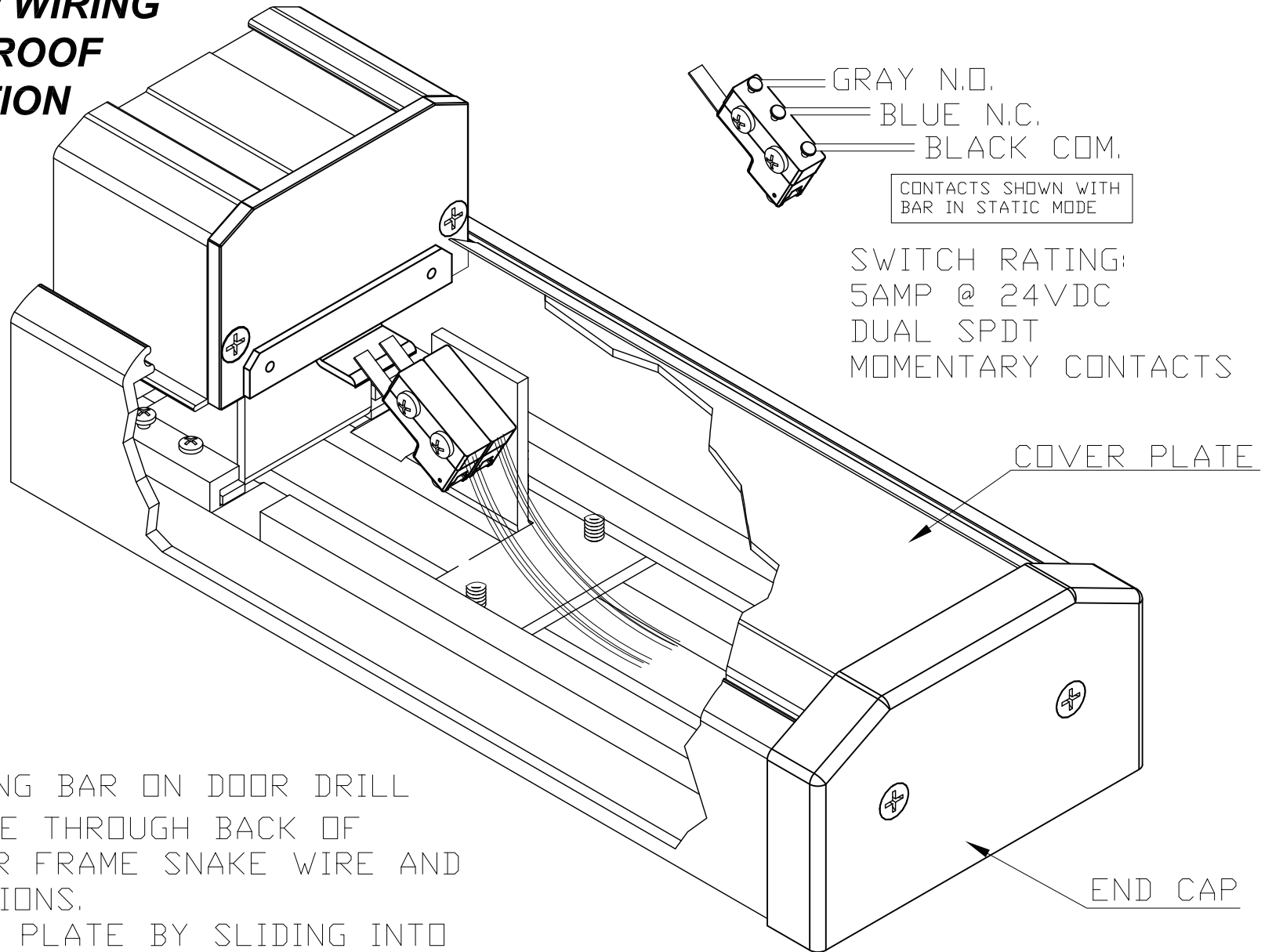


6420-S25 WIRING



AFTER MOUNTING BAR ON DOOR DRILL
 $\frac{3}{8}$ " WIRING HOLE THROUGH BACK OF
BAR INTO DOOR FRAME SNAKE WIRE AND
MAKE CONNECTIONS.
INSERT COVER PLATE BY SLIDING INTO
GROOVES, AND MOUNT END CAP WITH
2 SCREWS PROVIDED.

6420-S25-WR WIRING WEATHER PROOF SWITCH OPTION



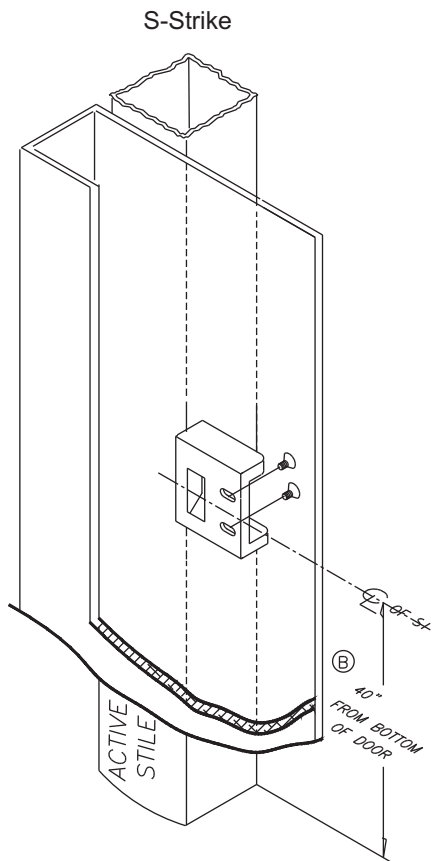
AFTER MOUNTING BAR ON DOOR DRILL
 $\frac{3}{8}$ " WIRING HOLE THROUGH BACK OF
BAR INTO DOOR FRAME SNAKE WIRE AND
MAKE CONNECTIONS.
INSERT COVER PLATE BY SLIDING INTO
GROOVES, AND MOUNT END CAP WITH
2 SCREWS PROVIDED.

Step #3

Install strike.

To install strike, locate 10-24x5/8 drill & tap on active stile (2 places)

Mount & adjust with slotted plate and secure strike.



Step #4

Dogging Instructions:

TO DOG - Insert hex key turn clockwise until it stops, fully depress touch bar then release.

TO UNDOG - Insert hex key turn clockwise until it stops, touch bar will release.

