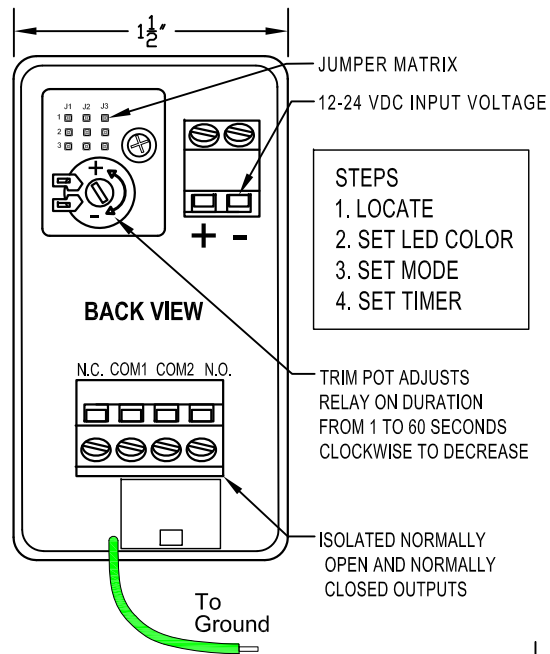
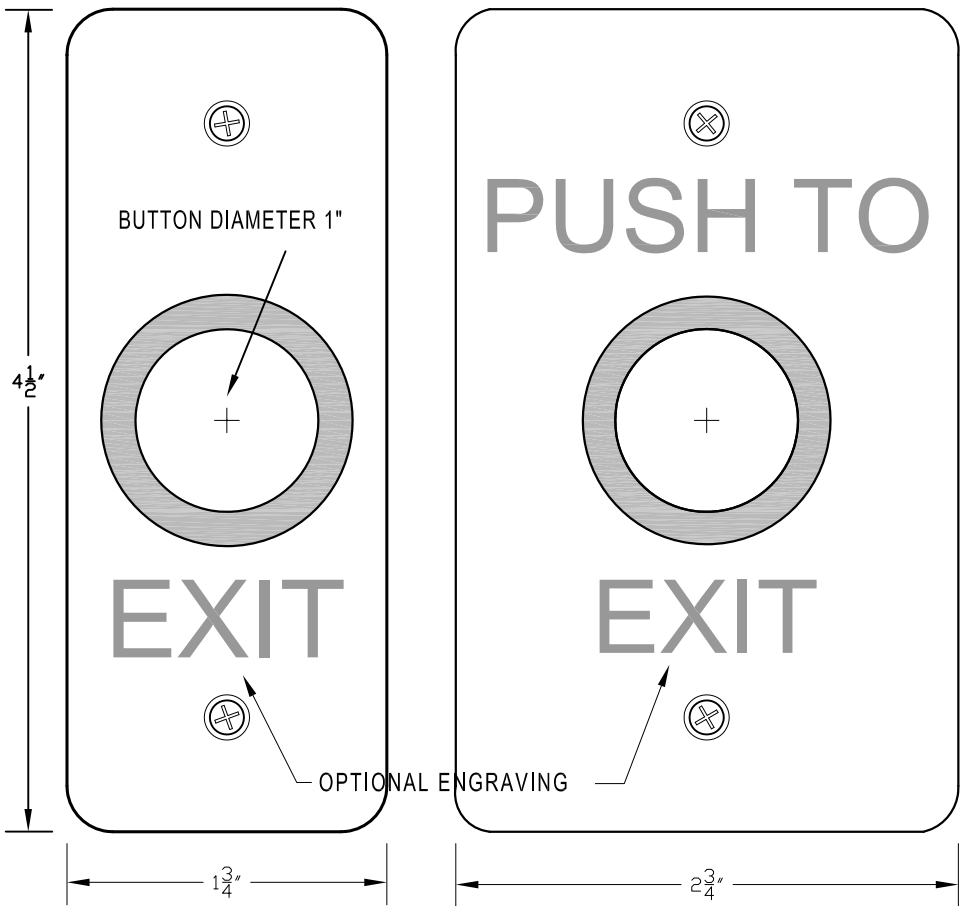
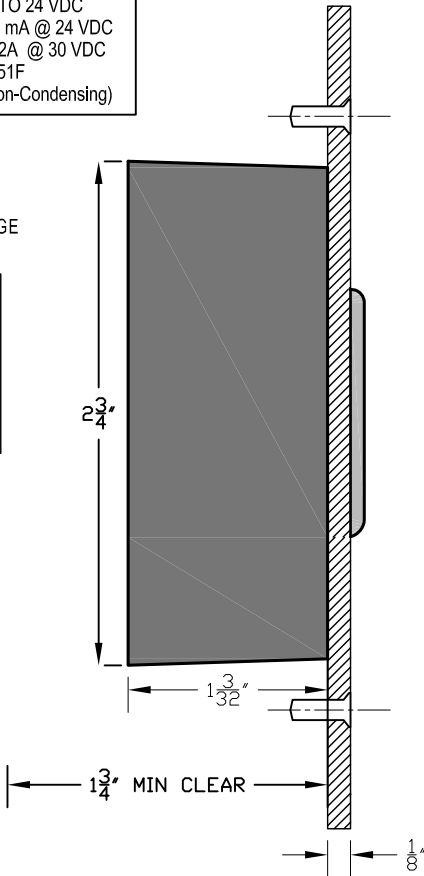


SPECIFICATIONS
 OPERATING INPUT VOLTAGE 12 TO 24 VDC
 INPUT CURRENT MAXIMUM 140 mA @ 24 VDC
 RELAY CONTACT RATING 2A @ 30 VDC
 OPERATING TEMP -31F TO 151F
 OPERATING HUMIDITY 0 TO 85% (Non-Condensing)



STEPS
 1. LOCATE
 2. SET LED COLOR
 3. SET MODE
 4. SET TIMER



SETTING THE RELAY CONTROLLED LED COLOR (JUMPERS 1 AND 3)

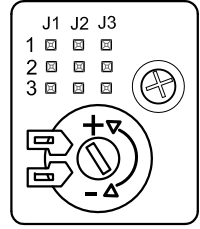
REMOVE SCREW & COVER TO ACCESS

MOUNT WITH 2 SCREWS PROVIDED TO SINGLE GANG, UL LISTED/RECOGNIZED ELECTRICAL BACK-BOX.

TABLE 1: LED JUMPER SETTINGS

JUMPER 1(J1)	JUMPER 3(J3)	IDLE	ACTIVE
*NO JUMPER	CONNECT 1-2	OFF	GREEN
*NO JUMPER	CONNECT 2-3	GREEN	OFF
CONNECT 1-2	*NO JUMPER	OFF	RED
CONNECT 1-2	CONNECT 1-2	OFF	YELLOW
(DEFAULT) CONNECT 1-2	CONNECT 2-3	GREEN	RED (DEFAULT)
CONNECT 2-3	*NO JUMPER	RED	OFF
CONNECT 2-3	CONNECT 1-2	RED	GREEN
CONNECT 2-3	CONNECT 2-3	YELLOW	OFF

NOTE: YELLOW DRAWS MORE CURRENT

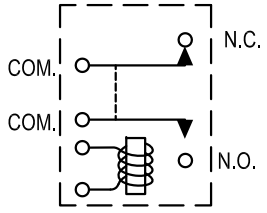


SETTING THE OPERATING MODE
JUMPER 2 (J2) SETTINGS
 PINS 1 & 2 = TOGGLE MODE
 PINS 2 & 3 = TIME DELAY MODE

REMOTE ACTIVATION OF LED - MAKE CONNECTIONS TO JUMPER PIN MATRIX AS FOLLOWS:

SWITCH STATE	IDLE	ACTIVATED
GROUND CENTER PIN J1 FOR	RED	RED
GROUND CENTER PIN J3 FOR	GREEN	GREEN

NOTE - LED STATE IS INDEPENDENT OF SWITCH STATE



5277 PIEZO SWITCH - RELAY