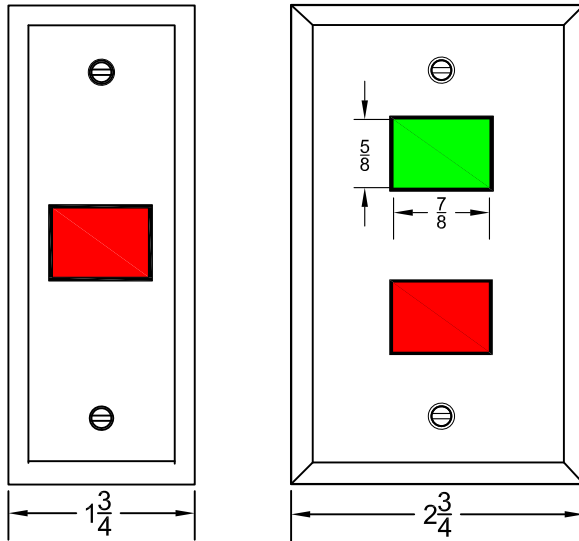
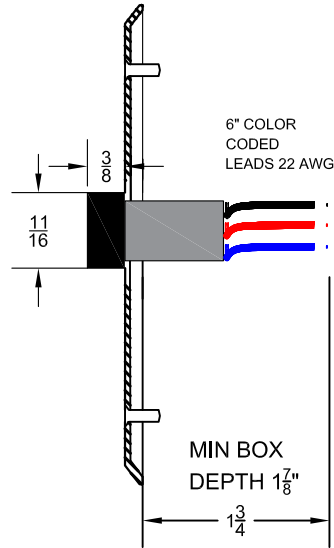


5260 SERIES MOUNTING



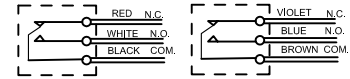
MODELS

5260-25-* MOMENTARY
 5260-LMP25/* MOMENTARY ILLUMINATED
 5260-24-* MAINTAINED
 5260-24-LMP* MAINTAINED ILLUMINATED
 *SPECIFY BUTTON COLOR G= GREEN, R=RED
 PREFIX "D" FOR DOUBLE GANG, "N" FOR 1-3/4" NARROW PLATE

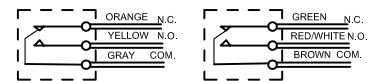


CONTACTS:
 FORM-C
 SWITCH RATING:
 3A @ 24 VDC/AC

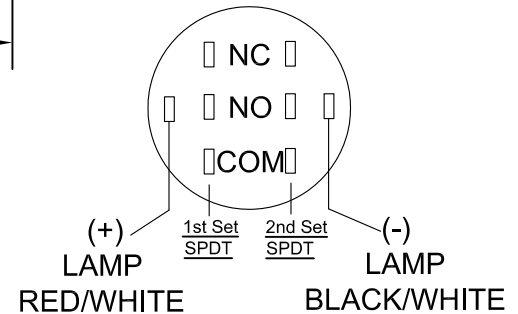
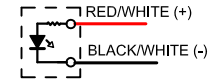
25 DPDT MOMENTARY SWITCH



24 DPDT MAINTAINED SWITCH



LED RATING: 8 mA - 12/24 VDC



Rev 3/25/21