

## 5210 EXIT RELEASE PUSH BUTTONS

# Mushroom Type Exit & Emergency Push Buttons



### Features:

- Immediate Release**
- Highly Visible**
- Reliable Operation**
- Independent Dual Contacts**
- Pneumatic Time Delayed Reset**
- Custom Text**

### Easily Recognized and Operated:

The 5210 Series of heavy-duty palm button assemblies provide conspicuous, door release for electric door locks. These, easy to operate, Request-To-Exit controls are ideal for use in hospitals, industrial complexes, office buildings and institutions.

### Large Button Caps:

These push button switches are furnished with standard 1-9/16" diameter caps. The 5216 Push Button Switches are supplied with a large 2-3/8" diameter cap to meet code requirements for some localities. The caps can be supplied in colors other than red as may be needed for electrically locked exit doors. In addition, 5210 Push Button Assemblies can be furnished with illuminated button caps and Narrow 1-3/4", Single or Double gang Stainless Steel back plates.

### Safe Redundant Contacts:

Dual contact blocks, one normally open and one normally closed set are furnished standard. This allows the magnetic lock power to be cut by the normally closed contacts upon switch activation while simultaneously signaling an access control panel with the normally open contact block. The P23DA Pneumatic Time Delay version operates the same. Since both sets of contacts are electrically isolated from each other, there are no problems with voltage compatibility.

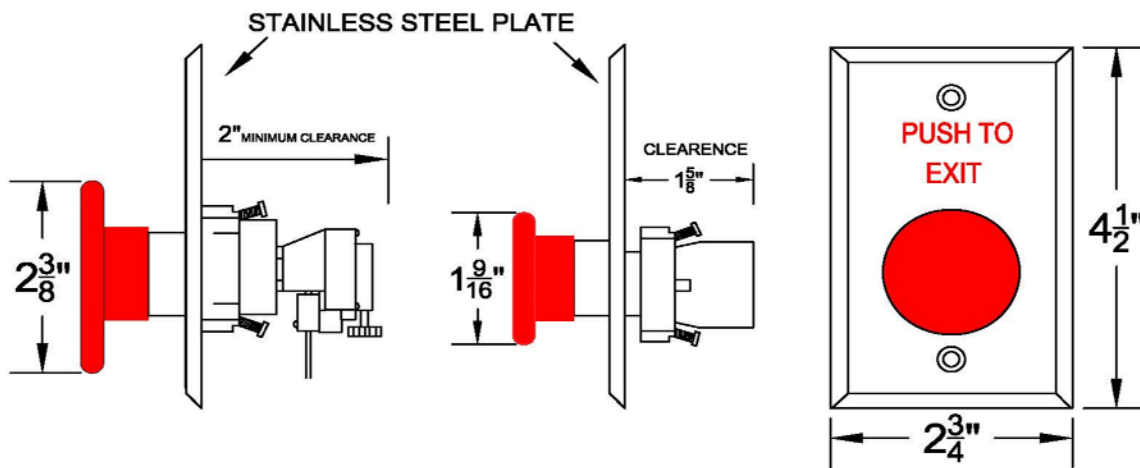
### Status Indicators:

All 5210 Series switch assemblies are available with one or more Bi-Color LEDs. These indicators can be wired to give a red, amber or green illumination. When LEDs are utilized with door position switches and magnetic bond sensors, the security condition of the door can be indicated.

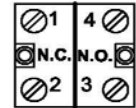
### Custom Text:

The stainless-steel switch plates can be Screen printed with epoxy paint or engraved with standard or custom wording. Block style lettering is typically 1/4" tall. Text is red to enhance readability.

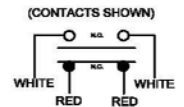




**HEAVY DUTY  
CONTACT BLOCK  
W/SCREW TERMINALS**



**PNEUMATIC  
P23DA**



**Model Description:**

**PUSH BUTTONS:**

- #5211 = 1-9/16" Mushroom Push Button Switch on Single Gang Plate
- #N5211 = 1-9/16" Mushroom Push Button Switch on Narrow Switch Plate
- #5216 = 2-3/8" Mushroom Push Button Switch on Single Gang Plate
- #D5216 = 2-3/8" Mushroom Push Button Switch on Double Gang Plate

**SWITCH CONTACT OPTIONS:**

- MP23 = Momentary (1-N.O. N.C.)
- \*MP24 = Maintained (1-N.O. & 1-N.C.)
- \*LMP23 = Illuminated Mom. DPST
- MP23PP=Latching Push-Pull DPST
- MP23DA = Pneumatic Time Delay Form-Z (1-N.O. & 1-N.C.)

**COLORED BUTTON OPTIONS:**

- /R = Red Button Cap
- /B = Black Button Cap
- /G = Green Button Cap (non stock)
- /BL = Blue Button Cap (non stock)

**LED INDICATOR OPTIONS:**

- xL = One Bi Color LED

**TEXT OPTIONS:**

- xE1 = "PUSH TO EXIT"
- xE2 = "PANIC"
- xE3 = "EMERGENCY RELEASE"
- xE4 = "PUSH TO RELEASE"
- xE5 = "PULL TO RELEASE"
- xE6 = Custom Engraved

**WEATHER RESISTANT:**

- PREFIX WR = Gasketed plate/button

**Electrical Specification:**

Continuous = 10 amps max current  
AC or DC  
Make = 60 amps Inductive @ 120 VAC Max.  
Break = 6 amps Inductive @ 120 VAC Max.

**Contacts :**

**Blocks:**

An almost unlimited number of circuit control options are possible using various combinations of contact blocks. Multiple contact blocks with normally open and/or normally closed may be stacked together for low voltage switching, dependent upon clearance space available. Each additional contact adds 1" to the depth of the switch clearance,

\*(The MP24 requires an additional 1/2")

\*(The LMP lamp option requires an additional 1")

Double break silver contacts are enclosed in a tough molded housing.

**Pneumatic:**

The P23DA Time Delay switch allows 2 - 60 seconds of adjustable time. The brass knurled knob is turned in the desired direction to set the timer. 6" color coded leads provide easy wiring connections.

5216 Series UL File# EX4421

**FOR OPTIONAL PLEXIGLASS COVER**

Part # 5210/COV (see price book)

**Environmental:**

OPERATING TEMPERATURE RANGE:  
BLOCKS -200C to +700C  
PNEUMATIC -9 C to +49 C / 16 F TO 120 F

**Specification Guide:**

Switch controls shall be manufactured by Dortronic Systems, Inc. Push button switch controls shall be momentary, alternate action or time delayed with DPST (6 amps @ 125VAC minimum) as scheduled. Push Button Switch caps shall be at least 1-9/16" or 2-3/8" diameter as required by local fire code authority. Push button switch assemblies shall be flush wall mounted to standard, recessed, electrical boxes. Mounting screws shall be slotted oval head stainless steel. Pin in Hex Head tamper resistant screws shall be supplied where required. Push button switch mounting plates shall be constructed of stainless steel in single gang, double gang or narrow style for mullion mounting as noted. Switch plates shall have beveled edges on all four sides. Switch plate assemblies shall be supplied with screen printed epoxy or engraved, paint filled lettering as designated.



**DORTRONICS SYSTEMS, INC.**

1668 Sag Harbor Tpke., Sag Harbor, NY 11963 (800) 906-0137 (631) 725-8148 Fax www.dortronics.com