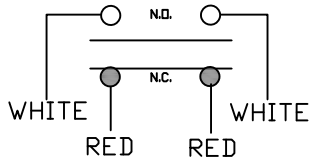


PNEUMATIC DELAY

**-P23DA**

10 amps MAX

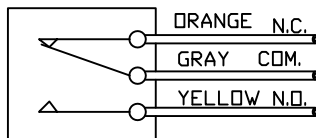


SPECS:

KEY SWITCH RATING:  
 3A @115VAC OR 28VDC  
 UL RECOGNIZED/CSA CERTIFIED  
 FACE PLATE: .032 THICK STAINLESS  
 CYLINDER HOUSING: CAST ALUMINUM  
 L.E.D. RATING: .02A @24VDC

MAINTAINED CONTACTS

**-P24**

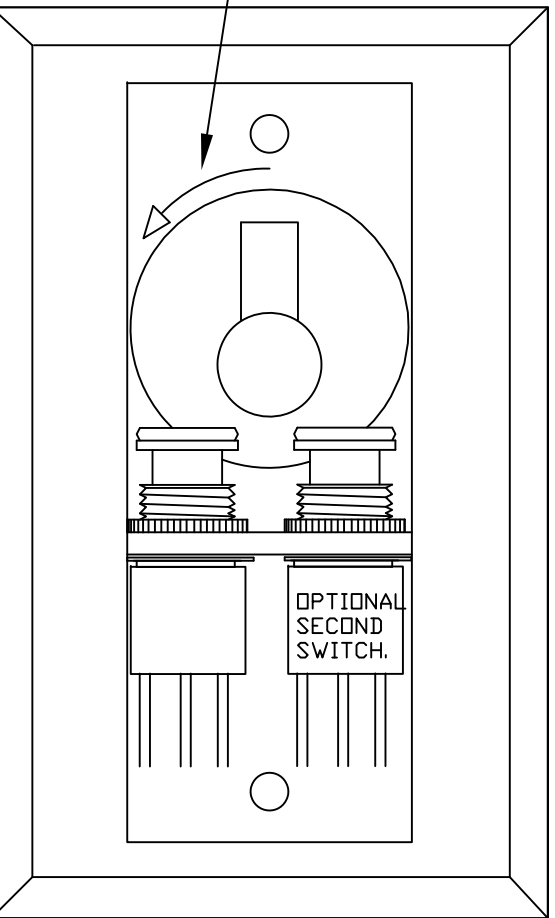


OPTIONAL  
 BI-COLOR L.E.D.



SHOWN WITH "XK"  
 OPTIONAL CYLINDER  
 1-1/8" OR 1-1/4"

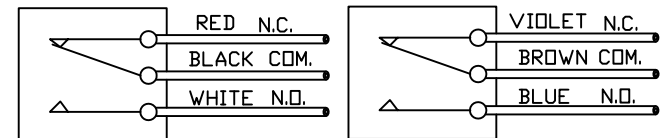
ACTUATOR ROTATION  
 STANDARD CAM REQUIRED



1-3/4" min.

MOMENTARY CONTACTS

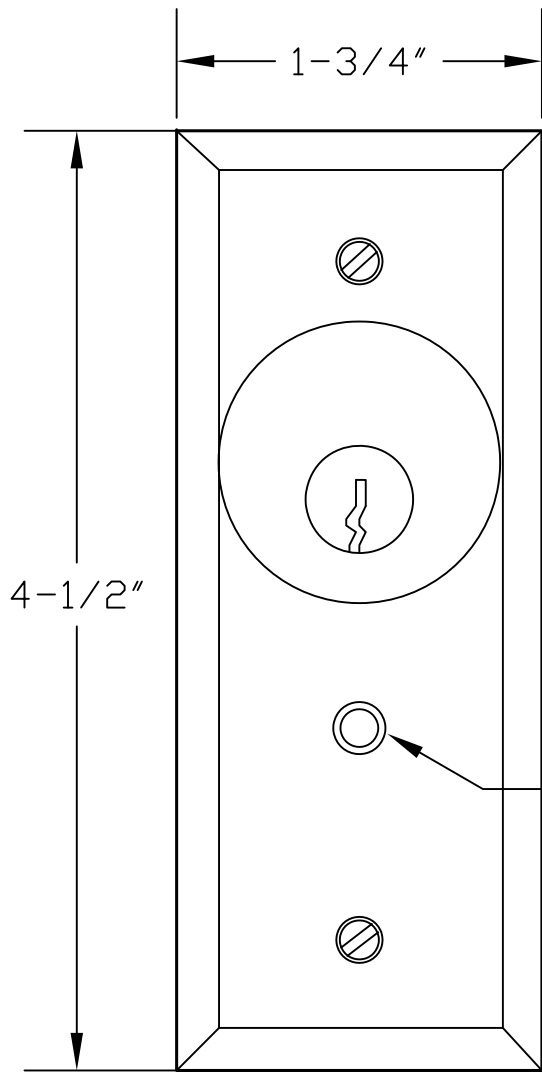
**-P25**



5141 SERIES  
 KEY SWITCH WITH  
 LED/CYLINDER OPTIONS



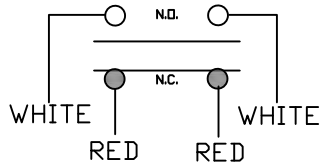
**DORTRONICS  
 SYSTEMS, INC.**  
 SAG HARBOR, NY  
 800-906-0137



PNEUMATIC DELAY

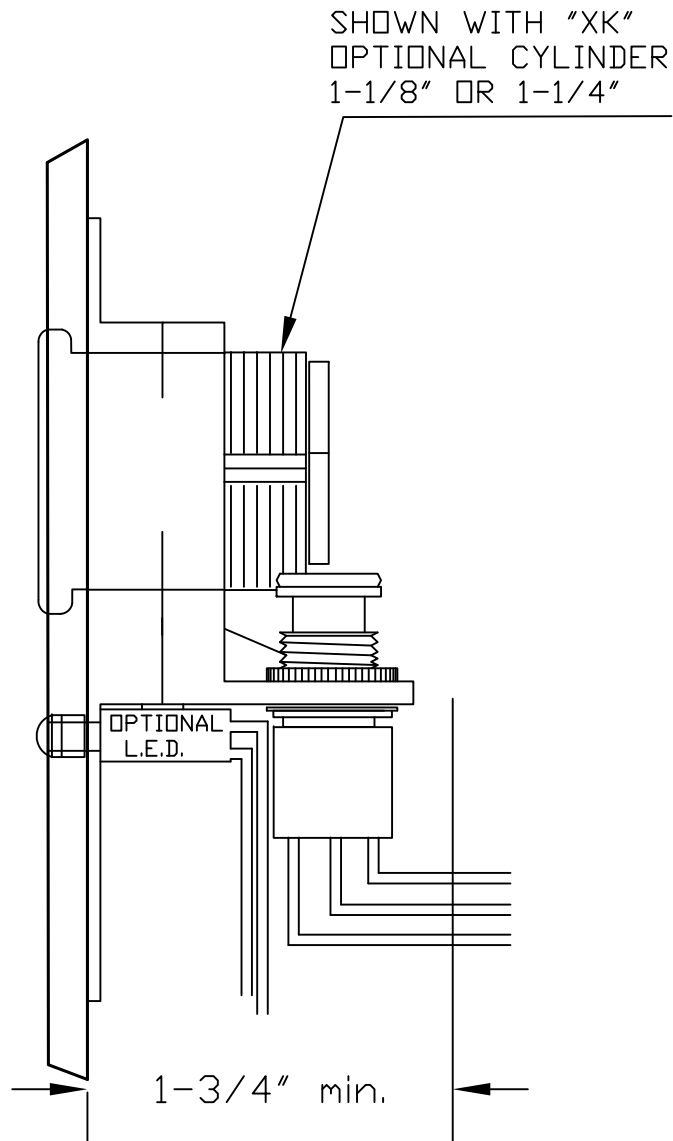
**-P23DA**

10 amps MAX



SPECS:

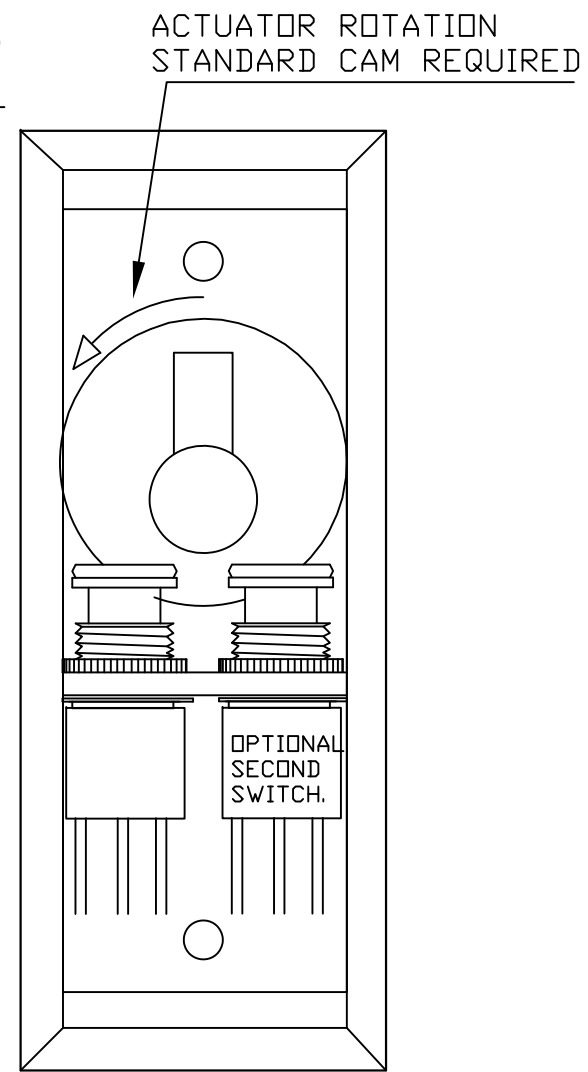
KEY SWITCH RATING:  
 3A @115VAC OR 28VDC  
 UL RECOGNIZED/CSA CERTIFIED  
 FACE PLATE: .032 THICK STAINLESS  
 CYLINDER HOUSING: CAST ALUMINUM  
 L.E.D. RATING: .02A @24VDC



SHOWN WITH "XK"  
 OPTIONAL CYLINDER  
 1-1/8" OR 1-1/4"

OPTIONAL  
 L.E.D.

1-3/4" min.

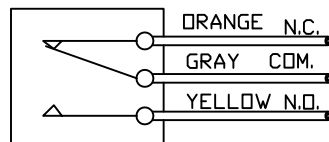


ACTUATOR ROTATION  
 STANDARD CAM REQUIRED

OPTIONAL  
 SECOND  
 SWITCH.

MAINTAINED CONTACTS

**-P24**

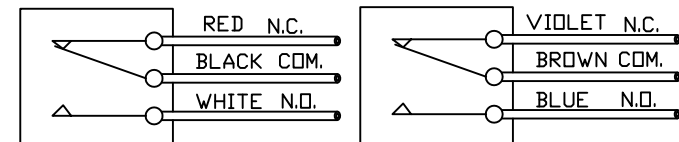


OPTIONAL  
 BI-COLOR L.E.D.



MOMENTARY CONTACTS

**-P25**



5141 SERIES

KEY SWITCH WITH  
 LED/CYLINDER OPTIONS



**DORTRONICS  
 SYSTEMS, INC.**

SAG HARBOR, NY  
 800-906-0137