



Dortronics Systems – xFO and xFO/Aux Boards

8 Zone Fused Output Board:

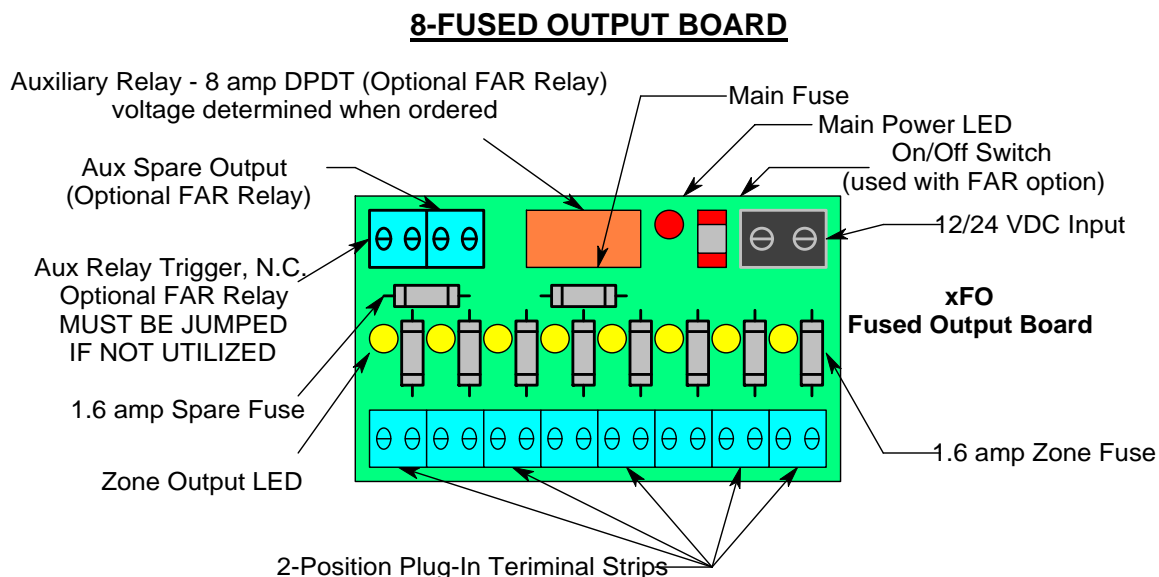
The xFO, fused output board and xFO/Aux, fused output board with auxiliary relay, are factory installed options in the Dortronics 4202/4 power supplies.

A two place screw terminal strip is provided for connection of 12 or 24VDC input. When the auxiliary relay is installed(xFO/Aux), the input voltage must match the relay requirements, i.e. 24VDC input with 24V relay installed.

The red LED indicates power to the board is on and the main fuse is intact. Each of the 8 zones has a green LED that when lit indicates zone power is on and the associated branch fuse is intact.

The individual zone terminals are removable for ease of wiring.

The main fuse is either 2 or 4 amp., dependent on power supply board output. Zone fuses are 1.6 amp. A spare zone fuse is located on the board. All fuses on the board, both main and zones are 5 x 20mm.



Input: 12 or 24 VDC, 90mA with Auxiliary Relay installed

Output: 12 or 24 VDC, max. branch output current 1.6A, max. combined output current 2A when installed in 4202 power supply or 4A when installed in 4204 power supply.