

4300 Series Interlock

Economical Interlock & Mantrap Solution

2 Door Interlock Controller



Typical Configurations:

43211-U – 2-Door / 1-Room Normally Unlocked Doors

 Mounted in an enclosure with a 294 Class 2 power supply.

43211-L – 2-Door / 1-Room / Normally Locked Doors

43211-L/U – 2-Door / 1-Room

1 Normally locked Door

1 Normally Unlocked Door

Secure Interlock Door Control

The #4300 series door interlock controller provides an economical solution for simple interlocks. This unit is configured to allow only one door, in a 2-door vestibule, to be unsecured at a time. The second door is secured and inhibited from opening while the first door is accessed to maintain the highest level of control.

Environmental or Security Control

Suitable for air locks or security mantraps, this controller can be field configured as both doors normally unlocked or normally locked or one door locked and one unlocked. There is a built-in Emergency Release function that can unlock one or both doors regardless of door status.

Access Control Compatible

Any access control system can be used with the 4300 series controllers. The request for access input recognizes any normally open dry contact. The door unlock sequence will follow the status of the request for access input.

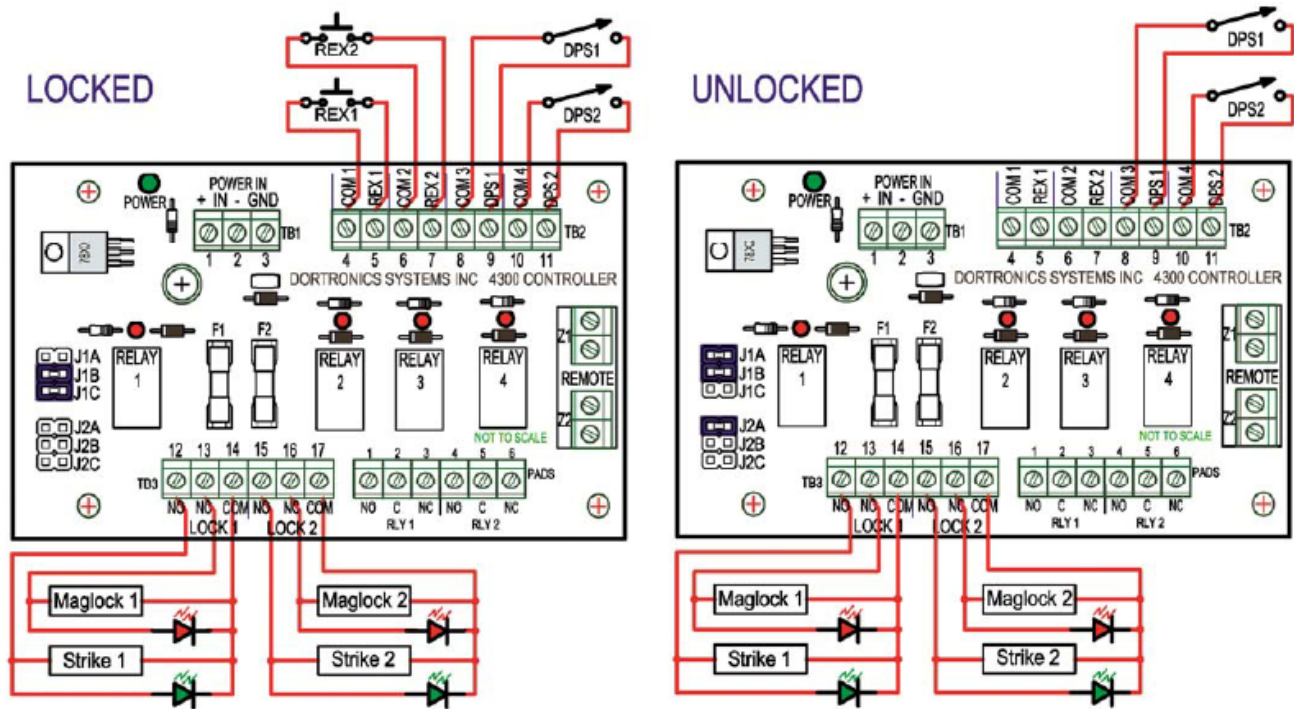
Integral 12/24 VDC Power Supply

The 4300 is paired with a 4204NX 4 amp UL Listed Class 2 power supply which also provides 12 or 24 VDC to operate maglocks and/or strikes for each of the doors. The heavy-duty power supply is ready for hook-up to the fire alarm system. An alarm output is also provided for monitoring the power system.



Product Specifications

Wiring Hook-up –



Physical Data –

Enclosure- 12"W x 15.5"L x 4.5"Deep NEMA 1 enclosure will accommodate one I/O module with power supply. Additional modules require larger enclosures.
4300 Module - 5" x 3" overall

Electrical – #4204NX

4 Amp Class 2 UL 294 power supply
AC Input - Fused 110 VAC
DC Output - 4 amp @ 12/24 VDC selectable

Inputs –

Two Dry Contact Inputs for Door Status (Contact closed when is door secure)
Two Dry Contact Inputs for Request to Access (Contact normally open)
Two Dry Contact Normally Open Panic release

Outputs –

Two Relay Outputs - SPDT Powered & Fused rated 1.6 Amps @ 30 VDC, "LOCK" 1,2
Two Relay Outputs- SPDT Unpowered / Unfused rated 1.6 Amps @ 30 VDC "RLY" 1,2 for each door lock
Maglock or strike LED indicators for each door.

Operation –

Only one door may be unlocked or open at any time. Unlocking or opening one door automatically secures the other door of the designated area. A request for access at any normally locked door will inhibit the REX inputs for the other locked door or secure the other door if unlocked.

Lock relay contacts will switch low voltage power to maglocks and/or strikes. The lock relay contacts also allow low voltage red and green LEDs to be utilized for indication of lock status. For user feedback, typically a green light indicates that access is permitted,(door is unlocked) while a red light signals that access is denied, (door is locked)

If special requirements such as indication of alarm conditions or custom timed operations are required, contact the factory for use of a PLC based controller.

Call for additional information and pricing..



DORTRONICS SYSTEMS, INC.

1668 Sag Harbor Tpke., Sag Harbor, NY 11963 (800) 906-0137 (631) 725-8148 Fax www.dortronics.com