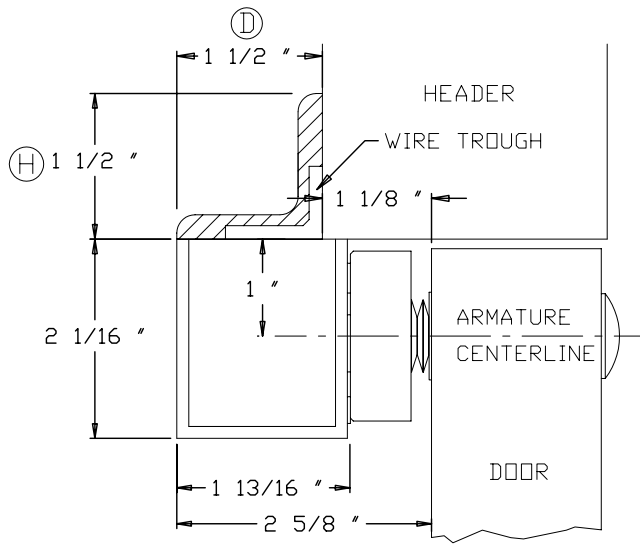


1190 SERIES ANGLE BRACKET MOUNTING



NOTES:

THE INSTALLER IS RESPONSIBLE FOR DRILLING AND TAPPING (2) 10-32 BACK MOUNTING HOLES. FACTORY MOUNTING HOLES ARE SHOWN IN DIAGRAM.

DETERMINE THE CORRECT SIZE 1190 SERIES ANGLE BRACKET FROM THE APPLICATION BULLETIN CROSS-SECTION.

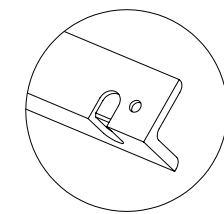
UTILIZE THE TEMPLATE PROVIDED FOR THE APPROPRIATE LOCK TO LOCATE & DRILL ARMATURE MOUNTING HOLES.

LOCATE & DRILL FOR WIRING THROUGH DOOR FRAME BY ALIGNING WITH WIRE TROUGH ON THE BACK OF 1190 ANGLE.

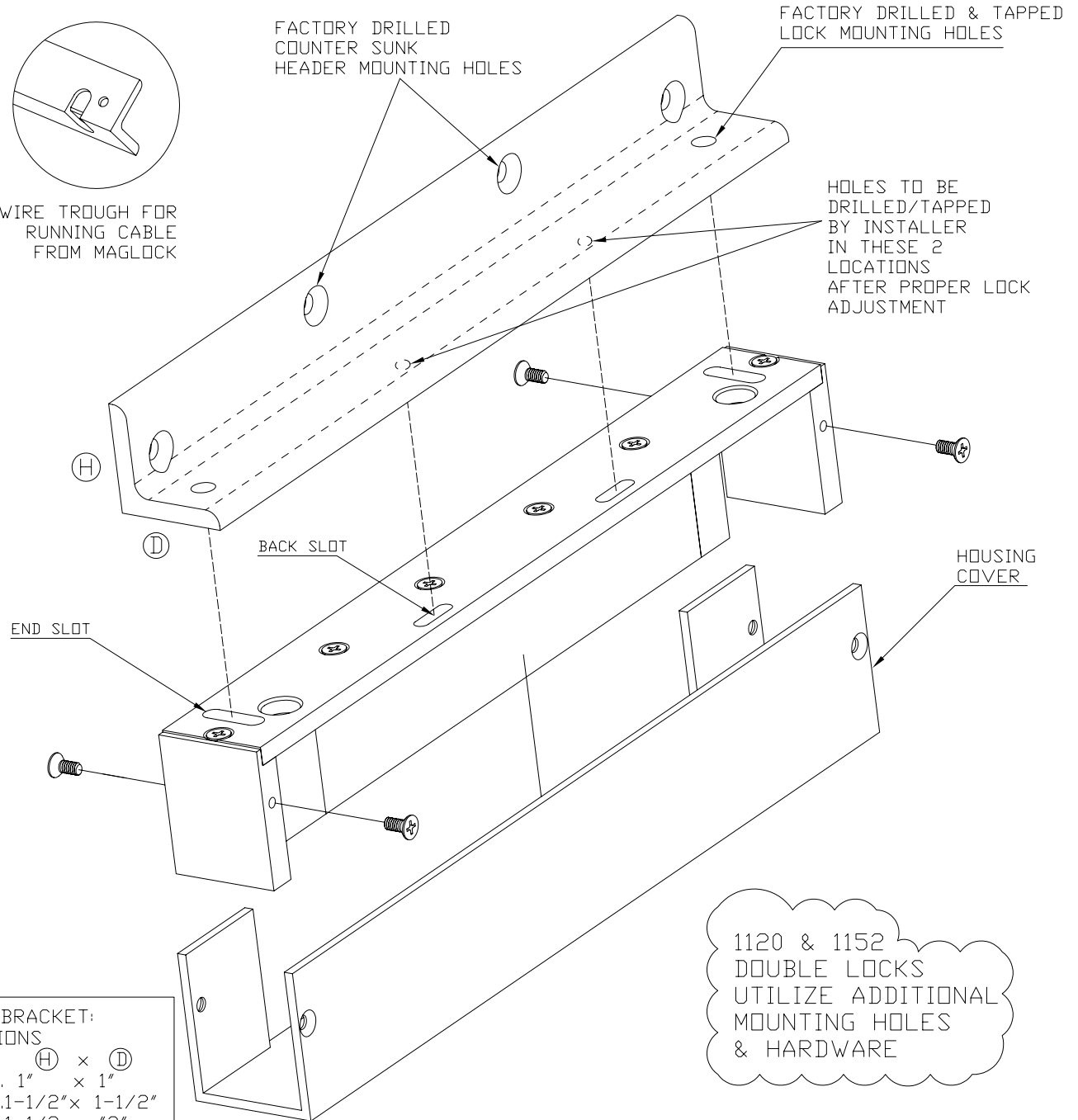
MOUNT THE 1190 BRACKET TO THE DOOR FRAME UTILIZING THE COUNTERSUNK HOLES

USE THE (2) 1/4-20 X 1/2" SCREWS & WASHERS PROVIDED TO MOUNT THE LOCK TO THE ANGLE BRACKET.

INSERT THE 2 SCREWS THROUGH THE END SLOTS ON THE MAGNET (DO NOT FULLY TIGHTEN) ADJUST THE MAGLOCK IN OR OUT FROM THE DOOR TO ENSURE THAT THE MAGNET FACE MAKES FULL CONTACT WITH THE ARMATURE PLATE FACE. ENERGIZE THE MAGNET AND TIGHTEN THE 1/4-20 SCREWS. THEN MARK & DRILL FOR THE (2) 10-32 X 1/2" BACK MOUNTING SCREWS.



WIRE TROUGH FOR RUNNING CABLE FROM MAGLOCK



ANGLE BRACKET: DIMENSIONS	
	H × D
1191.....	1" × 1"
1192.....	1-1/2" × 1-1/2"
1193.....	1-1/2" × 2"
1194.....	2" × 2-1/2"

1120 & 1152 DOUBLE LOCKS UTILIZE ADDITIONAL MOUNTING HOLES & HARDWARE