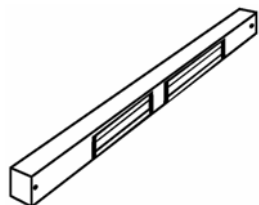




# MAGNETIC LOCKS

<b>1100 SERIES</b>	<b>PART #</b>	<b>DESCRIPTION</b>
		<b>OPTIONAL MAGNETIC LOCK FEATURES</b>
	<b>(SUFFIX)</b>	<b>1100 SERIES OPTIONS (ADD TO LOCK):</b>
	xL	ADD 1 LED (BICOLOR RED / GREEN)
	xD	ADD SPDT DOOR POSITION SWITCH (SINGLE)
	x2D	ADD 2 SPDT DOOR POSITION SWITCHES (1115/1120/1152/1155)
	xB	ADD 1 MAGNETIC BOND SENSOR <b>(NOT AVAILABLE FOR 1115,1155 SERIES SPLIT ARMATURE LOCKS)</b>
	x2B	ADD 2 MAGNETIC BOND SENSORS DOUBLE(1120/1152)
	xCF	ADD CONDUIT FITTING (FOR 1/2" RIGID CONDUIT) (THE 1000XCF COMES WITH 10' LEADS)
	xCT	ADD COVER TAMPER SWITCH
	xTS	ADD TAMPER RESISTANT SCREWS/DRIVER
	xEDR	ADD ATTEMPTED EGRESS SWITCH & DOOR SWITCH w/ ARMATURE MOUNTING ASSEMBLY (FOR SINGLE DOOR w/ EDR SYSTEM-101) <b>ONLY AVAILABLE WITH 1106 &amp; 1110 SERIES LOCKS</b>



LW-

LW-

### **FULL WIDTH HOUSINGS (ADD TO LOCK):**

**ADD TO 1106/1110/1150 MAGLOCK FOR SINGLE LOCK  
HOUSINGS UP TO 48" WIDE**

**ADD TO 1115/1120/1152 MAGLOCK FOR DOUBLE LOCK  
HOUSINGS UP TO 72" WIDE**



LV-

LV-

### **FULL HEIGHT HOUSINGS (ADD TO LOCK):**

**ADD TO 1106/1110/1150 MAGLOCK - FOR SINGLE LOCK  
HOUSINGS UP TO 96" LONG**

**ADD TO 1120/1152 MAGLOCK - FOR DOUBLE LOCK  
HOUSINGS UP TO 96" LONG**

**FOR OTHER CUSTOM LOCKS OR HOUSINGS (CALL  
FOR QUOTE)**

**FOR CUSTOM FINISHES (CALL FOR QUOTE)**



# MAGNETIC LOCKS

<b>1100 SERIES</b>	<b>PART #</b>	<b>DESCRIPTION</b>
	<b>OPTIONAL SPECIAL LOCK FINISHES</b>	
	<b>(SUFFIX)</b>	<b><u>ANODIZING (ADD TO LOCK PRICE):</u></b>
	xDBA	DARK BRONZE ANODIZE (US10D) -
	xSBA	SATIN BLACK ANODIZE -
		ADD FOR 1106 SERIES
		ADD FOR 1110 , 1115 SINGLE SERIES
		ADD FOR 1120 DOUBLE SERIES
		ADD FOR 1150, 1155 SINGLE SERIES
		ADD FOR 1152 DOUBLE SERIES
		ADD FOR TJ1106 TOP JAMB JR.
		ADD FOR TJ1110, TJ1115 TOP JAMB SINGLE
		ADD FOR TJ1120 TOP JAMB DOUBLE
		ADD FOR TJ1150, TJ1155 TOP JAMB SINGLE
		ADD FOR TJ1152 TOP JAMB DOUBLE
	<b>(SUFFIX)</b>	<b><u>PLATING (ADD TO LOCK PRICE):</u></b>
	XUS26	POLISHED CHROME -
	XUS26D	SATIN CHROME -
	XUS3	POLISHED BRASS -
	XUS4	SATIN BRASS -
		ADD FOR 1106 SERIES
		ADD FOR 1110 , 1115 SINGLE SERIES
		ADD FOR 1120 DOUBLE SERIES
		ADD FOR 1150, 1155 SINGLE SERIES
		ADD FOR 1152 DOUBLE SERIES
		ADD FOR TJ1106 TOP JAMB JR.
		ADD FOR TJ1110,TJ1115 TOP JAMB SINGLE
		ADD FOR TJ1120 TOP JAMB DOUBLE
		ADD FOR TJ1150, TJ1155 TOP JAMB SINGLE
		ADD FOR TJ1152 TOP JAMB DOUBLE

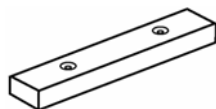


# MAGNETIC LOCKS

## 1180 SERIES

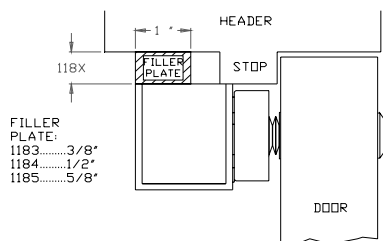
### PART # DESCRIPTION

#### FILLER PLATES

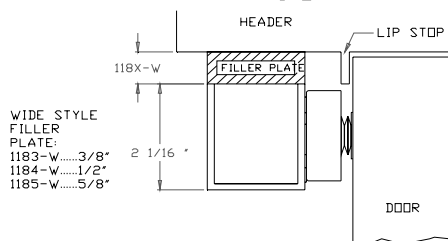


PART #	DESCRIPTION
<b><u>3/8" FILLERS</u></b>	
1183-00	3/8 x1" 1000 SERIES FILLER 8-1/4" LONG
1183-06	3/8 x1" 1106 SERIES FILLER 8-1/4" LONG
1183-10	3/8 x1" 1110/1115 SERIES FILLER 12-1/2" LONG
1183-20	3/8 x1" 1120 SERIES FILLER 23" LONG
1183-50	3/8 x1" 1150/1155 SERIES FILLER 12" LONG
1183-52	3/8 x1" 1152 SERIES FILLER 24" LONG
<b><u>EXTRA WIDE FILLER PLATES</u></b>	
1183-00-W	EXTRA WIDE 3/8 x 1-1/2" 1000 FILLER 8-1/4" LONG
1183-06-W	EXTRA WIDE 3/8 x 1-3/4" 1106 FILLER 8-1/4" LONG
1183-10-W	EXTRA WIDE 3/8 x 1-3/4" 1110/1115 FILLER 12-1/2" LONG
1183-20-W	EXTRA WIDE 3/8 x 1-3/4" 1120 FILLER 23" LONG
1183-50-W	EXTRA WIDE 3/8 x 2" 1150/1155 FILLER 12"
1183-52-W	EXTRA WIDE 3/8 x 2" 1150/1155 FILLER 24"
<b><u>1/2" FILLERS</u></b>	
1184-00	1/2"x1" 1000 SERIES FILLER 8-1/4" LONG
1184-06	1/2"x1" 1106 SERIES FILLER 8-1/4" LONG
1184-10	1/2"x1" 1110/1115 SERIES FILLER 12-1/2" LONG
1184-20	1/2"x1" 1120 SERIES FILLER 23" LONG
1184-50	1/2"x1" 1150/1155 SERIES FILLER 12" LONG
1184-52	1/2"x1" 1152 SERIES FILLER 24" LONG
<b><u>EXTRA WIDE FILLER PLATES</u></b>	
1184-00-W	EXTRA WIDE 1/2 x 1-1/2" 1000 FILLER 8-1/4" LONG
1184-06-W	EXTRA WIDE 1/2 x 1-3/4" 1106 FILLER 8-1/4" LONG
1184-10-W	EXTRA WIDE 1/2 x 1-3/4" 1110/1115 FILLER 12-1/2"
1184-20-W	EXTRA WIDE 1/2 x 1-3/4" 1120 FILLER 23" LONG
1184-50-W	EXTRA WIDE 1/2 x 2" 1150/1155 FILLER 12" LONG
1184-52-W	EXTRA WIDE 1/2 x 2" 1152 FILLER 24" LONG
<b><u>5/8" FILLERS</u></b>	
1185-00	5/8"x1" 1000 SERIES FILLER 8-1/4" LONG
1185-06	5/8"x1" 1106 SERIES FILLER 8-1/4" LONG
1185-10	5/8"x1" 1110/1115 FILLER 12-1/2" LONG
1185-20	5/8"x1" 1120 SERIES FILLER 23" LONG
1185-50	5/8"x1" 1150/1155 SERIES FILLER 12" LONG
1185-52	5/8"x1" 1152 SERIES FILLER 24" LONG
<b><u>EXTRA WIDE FILLER PLATES</u></b>	
1185-00-W	EXTRA WIDE 5/8 x 1-1/2" 1000 FILLER 8-1/4" LONG
1185-06-W	EXTRA WIDE 5/8 x 1-3/4" 1106 FILLER 8-1/4" LONG
1185-10-W	EXTRA WIDE 5/8 x 1-3/4" 1110 FILLER 12-1/2" LONG
1185-20-W	EXTRA WIDE 5/8 x 1-3/4" 1120 FILLER 23" LONG
1185-50-W	EXTRA WIDE 5/8 x 2" 1150 FILLER 12" LONG
1185-52-W	EXTRA WIDE 5/8 x 2" 1152 FILLER 24" LONG

1180 SERIES FILLER PLATE FOR FRAME WITH NARROW STOP



1180-W SERIES WIDE FILLER PLATE FOR FRAME WITH LIP STOP





# MAGNETIC LOCKS

---

---

**1180 SERIES**      PART #      DESCRIPTION  
**CUSTOM FINISHES - STANDARD FILLER PLAT**

(SUFFIX)      SPECIAL FINISHES ADD TO FILLER PLATES

xDBA      ADD FOR DARK BRONZE ANODIZED -

xSBA      ADD FOR SATIN BLACK ANODIZED -

xUS26      ADD FOR POLISHED CHROME -

xUS26D      ADD FOR SATIN CHROME -

xUS3      ADD FOR POLISHED BRASS -

xUS4      ADD FOR SATIN BRASS -

1106 (SINGLE LOCK) FILLER PLATES

1110/1115 (SINGLE LOCK) FILLER PLATES

1150/1155 (SINGLE LOCK) FILLER PLATES

1120 (DOUBLE LOCK) FILLER PLATES

1152 (DOUBLE LOCK) FILLER PLATES

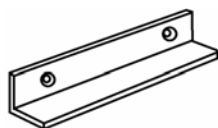


# MAGNETIC LOCKS

## 1190 SERIES

### PART #                      DESCRIPTION

## ANGLE BRACKETS



#### 1" x 1" ANGLE BRACKET

1191-00	1"X1" 1000 SERIES ANGLE 8-1/4" LONG
1191-06	1"X1" 1106 SERIES ANGLE 8-1/4" LONG
1191-10	1"X1" 1110/1115 SERIES ANGLE 12-1/2"LONG
1191-20	1"X1" 1120 SERIES ANGLE 23" LONG
1191-50	1"X1" 1150/1155 SERIES ANGLE 12"LONG
1191-52	1"X1" 1152 SERIES ANGLE 24" LONG

#### 1-1/2" x 1-1/2" ANGLE BRACKET

1192-00	1-1/2"X1-1/2" 1000 SERIES ANGLE 8-1/4"LONG
1192-06	1-1/2"X1-1/2" 1106 SERIES ANGLE 8-1/4"LONG
1192-10	1-1/2"X1-1/2" 1110/1115 SERIES ANGLE 12-1/2"LONG
1192-20	1-1/2"X1-1/2" 1120 SERIES ANGLE 23" LONG
1192-50	1-1/2"X1-1/2" 1150/1155 SERIES ANGLE 12"LONG
1192-52	1-1/2"X1-1/2" 1152 SERIES ANGLE 24" LONG

DEPTH X HEIGHT

#### 2" x 1-1/2" ANGLE BRACKET

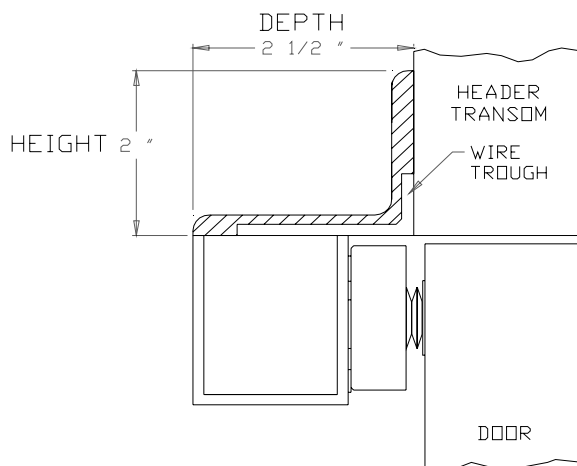
1193-00	2"X1-1/2" 1000 SERIES ANGLE 8-1/4" LONG
1193-06	2"X1-1/2" 1106 SERIES ANGLE 8-1/4" LONG
1193-10	2"X1-1/2" 1110/1115 SERIES ANGLE 12-1/2"LONG
1193-20	2"X1-1/2" 1120 SERIES ANGLE 23" LONG
1193-50	2"X1-1/2" 1150/1155 SERIES ANGLE 12"LONG
1193-52	2"X1-1/2" 1152 SERIES ANGLE 24" LONG

DEPTH X HEIGHT

#### 2-1/2" x 2" ANGLE BRACKET

1194-00	2-1/2"X2" 1000 SERIES ANGLE 8-1/4" LONG
1194-06	2-1/2"X2" 1106 SERIES ANGLE 8-1/4" LONG
1194-10	2-1/2"X2" 1110/1115 SERIES ANGLE 12-1/2"LONG
1194-20	2-1/2"X2" 1120 SERIES ANGLE 23" LONG
1194-50	2-1/2"X2" 1150/1155 SERIES ANGLE 12"LONG
1194-52	2-1/2"X2" 1152 SERIES ANGLE 24" LONG

1194 ANGLE BRACKET





# MAGNETIC LOCKS

---

**1190 SERIES**      PART #      DESCRIPTION  
**CUSTOM FINISHES - ANGLE BRACKETS**

(SUFFIX)      SPECIAL FINISHES ADD TO ANGLE BRACKETS

**xDBA**      ADD FOR DARK BRONZE ANODIZED -  
ALL STANDARD ANGLE BRACKETS

**xSBA**      ADD FOR SATIN BLACK ANODIZED -  
ALL STANDARD ANGLE BRACKETS

**xUS26**      ADD FOR POLISHED CHROME -

**xUS26D**      ADD FOR SATIN CHROME -

**xUS3**      ADD FOR POLISHED BRASS -

**xUS4**      ADD FOR SATIN BRASS -

1106 (SINGLE LOCK) ANGLE BRACKETS

1110/1115 (SINGLE LOCK) ANGLE BRACKETS

1150/1155 (SINGLE LOCK) ANGLE BRACKETS

1120 (DOUBLE LOCK) ANGLE BRACKETS

1152 (DOUBLE LOCK) ANGLE BRACKETS



# MAGNETIC LOCKS

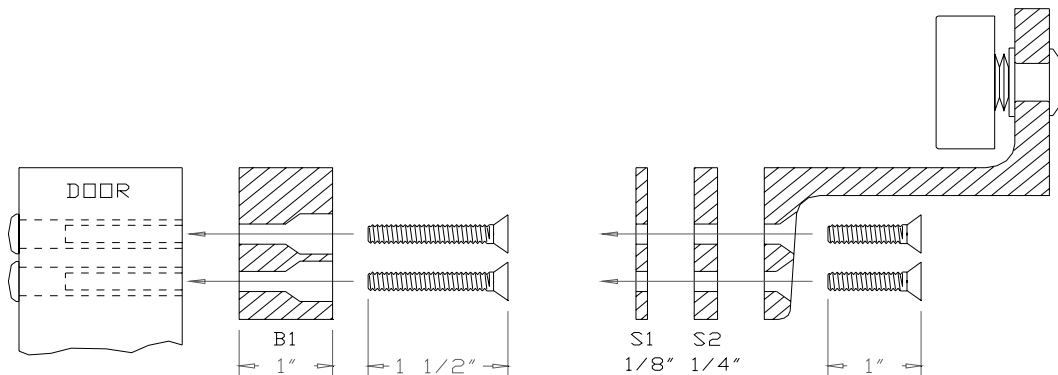
**1190 SERIES**

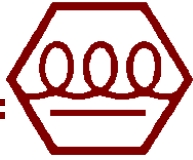
<u>PART #</u>	<u>DESCRIPTION</u>
<b>"Z" BRACKET ACCESSORIES</b>	

**Z-BRACKET SPACERS & BLOCKS**

<b>1176-06S1</b>	1/8" SPACER FOR 1106
<b>1176-00S1</b>	1/8" SPACER FOR 1000
<b>1176-10S1</b>	1/8" SPACER FOR 1110/1150 (1120/1152, 2 REQUIRED)
<b>1176-15S1</b>	1/8" SPACER FOR 1115/1155 (2 REQUIRED)
<b>1176-06S2</b>	1/4" SPACER FOR 1106
<b>1176-00S2</b>	1/4" SPACER FOR 1000
<b>1176-10S2</b>	1/4" SPACER FOR 1110/1150 (1120/1152, 2 REQUIRED)
<b>1176-15S2</b>	1/4" SPACER FOR 1115/1155 (2 REQUIRED)
<b>1176-06B1</b>	1" BLOCK FOR 1106
<b>1176-00B1</b>	1" BLOCK FOR 1000
<b>1176-10B1</b>	1" BLOCK FOR 1110/1150 (1120/1152, 2 REQUIRED)
<b>1176-15B1</b>	1" BLOCK FOR 1115/1155 (2 REQUIRED)

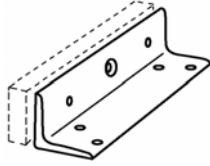
**SPECIAL FINISH Z-BRACKETS, SPACERS & BLOCKS**





# MAGNETIC LOCKS

## 1190 SERIES

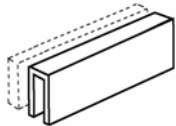


<u>PART #</u>	<u>DESCRIPTION</u>
---------------	--------------------

### ARMATURE MOUNTING BRACKETS

1195-06	<b><u>2" x 2" ARMATURE BRACKET w/ SEX NUT</u></b> ARMATURE BRACKET FOR 1106 LOCKS
1195-10	ARMATURE BRACKET FOR 1110 LOCKS
1195-15L	ARMATURE BRACKET FOR LEFT ARMATURE 1115
1195-15R	ARMATURE BRACKET FOR RIGHT ARMATURE 1115
	<b><u>2-1/2" x 2-1/2" BRACKET w/ SEX NUT</u></b> <b>FOR 1000 &amp; 1150 SERIES LOCKS</b>
1195-50	ARMATURE BRACKET FOR 1150 & 1000 LOCKS
1195-55L	ARMATURE BRACKET FOR 1155 LEFT ARMATURE
1195-55R	ARMATURE BRACKET FOR 1155 RIGHT ARMATURE
	<b><u>2-1/2" x 2-1/2" BRACKET w/ SEX NUT</u></b> ARMATURE BRACKET FOR 1106 LOCKS
1197-06	ARMATURE BRACKET FOR 1106 LOCKS
1197-10	ARMATURE BRACKET FOR 1110 LOCKS
	<b><u>2-1/2" x 3" BRACKET w/ SEX NUT</u></b> <b>FOR 1000 &amp; 1150 SERIES LOCKS</b>
1197-50	ARMATURE BRACKET FOR 1150 & 1000 LOCKS
<b><u>(SUFFIX)</u></b>	<b><u>ARMATURE BRACKET SPECIAL FINISHES</u></b>
xDBA	ADD FOR DARK BRONZE ANODIZED BRACKET
xSBA	ADD FOR SATIN BLACK ANODIZED BRACKET
xUS3	ADD FOR POLISHED BRASS ARMATURE BRACKET
xUS26	ADD FOR POLISHED CHROME ARMATURE BRACKET
xUS4	ADD FOR SATIN BRASS ARMATURE BRACKET
xUS26D	ADD FOR SATIN CHROME ARMATURE BRACKET

## 1190 SERIES



### HERCULITE GLASS DOOR BRACKETS

	<b><u>1198 SERIES GLASS DOOR U-BRACKETS</u></b> SATIN STAINLESS STEEL FINISH STANDARD <b>(CHECK GLASS THICKNESS)</b>
1198/50-06	1106 SERIES U-BRACKET FOR 1/2" THICK GLASS DOOR
1198/75-06	1106 SERIES U-BRACKET FOR 3/4" THICK GLASS DOOR
1198/50-10	1110/1120 U-BRACKET FOR 1/2" THICK GLASS DOOR
1198/75-10	1110/1120 U-BRACKET FOR 3/4" THICK GLASS DOOR
1198/50-15	1115 SERIES U-BRACKET FOR 1/2" THICK GLASS
1198/75-15	1115 SERIES U-BRACKET FOR 3/4" THICK GLASS
1198/50-50	1150 SERIES U-BRACKET FOR 1/2" THICK GLASS
1198/75-50	1150 SERIES U-BRACKET FOR 3/4" THICK GLASS
1198/50-55	1155 SERIES U-BRACKET FOR 1/2" THICK GLASS
1198/75-55	1155 SERIES U-BRACKET FOR 3/4" THICK GLASS
<b><u>(SUFFIX)</u></b>	<b><u>U-BRACKET SPECIAL FINISHES</u></b>
xUS3	ADD FOR POLISHED BRASS
xUS26	ADD FOR POLISHED CHROME
xUS4	ADD FOR SATIN BRASS