



# 1150/1152 ELECTROMAGNETIC LOCKS

**1500 Pounds  
Holding Force**

**Small 2-5/8"  
Mounting Profile**

**Low Efficient  
Current Draw**

**Easy Access  
Security Housing**

**Field Selectable  
12 or 24 Voltage**



### **Reliable Security:**

Solid, secure door control is possible with this state of the art electromagnetic lock. Capable of providing over 1500 pounds of holding force, per door leaf, these locks are available in models for single and pairs of out-swinging or in-swinging doors. Filler plates, angle brackets, and other mounting adapters allow easy installation on a wide range of door and frame types and conditions.

### **Safe Operation:**

All ULTRA-LOCK electro-magnetic locking devices are inherently fail-safe, releasing instantly upon command or loss of power. With no moving parts to wear, stick or bind; no mechanical linkages to bend or break; and no bolt travel time or misalignment concerns, both locking and unlocking are accomplished with ease and efficiency.

### **Extended Service:**

The rugged design and durable construction insures virtually endless actuations without fear of electrical fatigue or mechanical breakdown. This, combined with manufacturing to the most stringent quality control standards, allows Dortronics to offer a *Lifetime Warranty* on all electro-magnetic locks.

### **NFPA Life Safety Compatible:**

As electromagnetic locking devices function independently of mechanical locks, installation of magnetic locks will not jeopardize the fire door rating of an opening. Magnetic locks are ideal for use with fire and hazard detection systems to provide unobstructed egress and are highly recommended for use on Exit Door Control Systems requiring delayed releasing, per NFPA 101 or BOCA Codes.

### **Universal Control:**

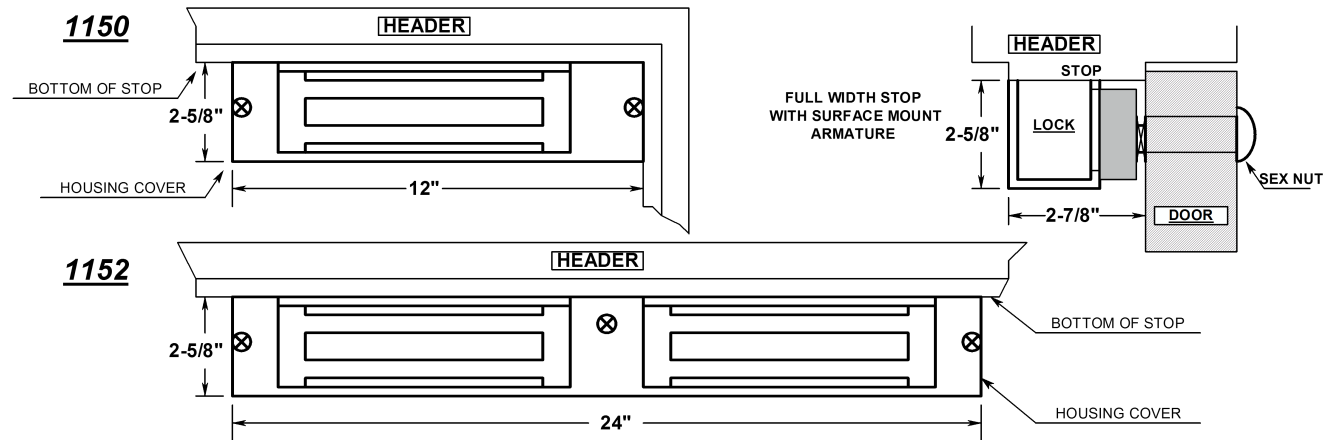
Capable of being controlled and monitored individually, sequentially, or simultaneously from one or several locations, the application of ULTRA-LOCKS can be used with automatic swinging and sliding door systems, and most security alarm systems.

The well confined magnetic field of these locks allow them to be used in computer rooms and other electronically sensitive areas. With the built-in suppressor system protecting connected circuitry and components from noise and spikes, ULTRA-LOCK systems can be reliably interfaced with any electronic access control and monitoring equipment .

*The City  
of  
New York  
MEA Approved*



# 1150/1152 SERIES ELECTROMAGNETIC LOCKS



## Specifications:

### Models

- 1150 - Single Door (1500 lbs. total)
- 1152 - Double Door (1500 lbs. per leaf)
- 1155 - Double Door, Single Lock with Split Armatures (750 lbs. per leaf)

### Physical Size

- 1150 Housing - 12" long x 2-5/8" high x 1-7/8" deep overall
- 1152 Housing - 24" long x 2-5/8" high x 1-7/8" deep overall
- 1155 Housing - 12" long x 2-5/8" high x 1-7/8" deep overall
- 1150/1152/1155 Projection - 3-1/8" total depth including armature

### Electrical

- Operating voltage field selectable
- 1150 - 300ma @ 24 VDC
- 600ma @ 12 VDC
- 1152 - 600ma @ 24 VDC
- 1.20 amp @ 12 VDC

## In-swinging Doors

- TJ (prefix) - Top jamb mounting for in-swinging doors (includes back mount housing and Z bracket for armature)

## Custom Housings

- LV (prefix) - Long housing for vertical jamb mounted locks
- LW (prefix) - Wide housing for horizontal full width mounted locks

## Custom Finishes:

- xDBA - Dark Bronze Anodize
- xSBA - Black Satin Anodized
- xUS3 - Polished Brass
- xUS4 - Satin Brass
- xUS26 - Polished Chrome
- xUS26D - Satin Chrome

## Other Options:

- xD - Concealed Door Position Switch SPDT rated @ .1 amp @ 30 volts
- xL - Bi-Color LED recessed into housing end plate with resistor
- xB - Dual magnetic bond sensors detect improper armature mating or lack of sufficient lock power to provide rated holding force.
- xCF = 1/2" Rigid conduit fitting mounted in housing end plate (for use in exposed wiring conditions such as perimeter gate control)

- xCT = Concealed cover tamper switch SPDT snap action actuated by removal of housing cover

- xTS = Tamper resistant cover attachment screws for enhanced security

## Installation:

The elongated mounting holes on the mounting plate permit easy adjustments. Two of the four small holes behind the electro-magnet are used to secure the unit firmly in place and keep it from rotating. The other two round holes can be used should moving the magnet slightly be required later. Four point versus two point mounting, increases the stability and life of the installation.

A wire trough behind the electro-magnet provides a convenient channel for leads, allowing the installer to use the chamber at either end for field connections. Lock operating voltage is field selectable to match the supply voltage.

Included in the armature mounting pack is a specially designed shoulder screw to insure proper floating action of the door mounted armature. This mounting screw can be fully tightened without affecting floating action. Roll pins are furnished also to allow the armature to flex while maintaining alignment.

## Distributed by:



**DORTRONICS**  
SYSTEMS, INC.

1668 SAG HARBOR TURNPIKE, SAG HARBOR, NY 11963  
www.dortronics.com - (800) 906-0137 - (631) 725-8148 FAX