

1107xEDR DELAYED EGRESS ACTUATING LOCK

Delayed Egress Actuating Lock



Features:

NFPA 101 / BOCA Compatible

600 Pounds of Holding Force

Shallow 2-1/4" Mounting Profile

Efficient-Low Current Draw

**Certified to UL294 for Access
Control**

Delayed Egress Activation:

Designed for use with the 7101-P Delayed Egress Panel, the 1107xEDR employs a Microswitch actuator which senses door movement via the spring-loaded Armature. The Microswitch sensitivity is field adjustable to accommodate various applications. A concealed Door Position Switch is also included and utilized to report door status for Re-lock and Forced door conditions to the Egress panel.

Reliable & Versatile:

This state of the art electromagnetic locking device provides positive, instantaneous door control. Models are available for single outswing, inswing, and sliding doors or gates. Filler plates, angle brackets, and other mounting adapters are available to accommodate a wide range of door and frame types and conditions.

NFPA Life Safety Compatible:

Since electromagnetic locking devices function independently of mechanical locks; they are ideal for use with fire and hazard detection systems to provide unobstructed egress and are highly recommended for use on Exit Door Control Systems requiring delayed releasing, per NFPA 101 or BOCA Codes.

Safe Operation:

All 1107xEDR electromagnetic locking devices are inherently fail-safe, releasing instantly upon command or loss of power. Both locking and unlocking are accomplished with ease and efficiency. The well confined magnetic field of these locks allow them to be used in computer rooms and other electronically sensitive areas. The built-in Transient Surge suppression protects the electro-magnet from noise and voltage spikes.

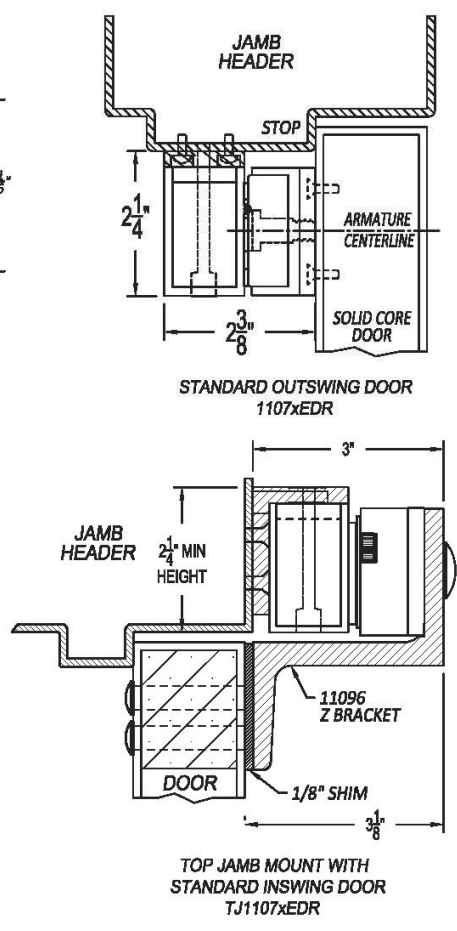
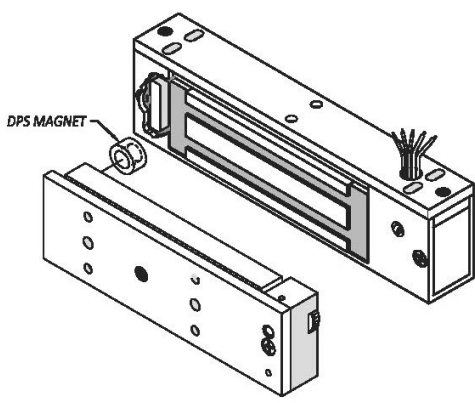
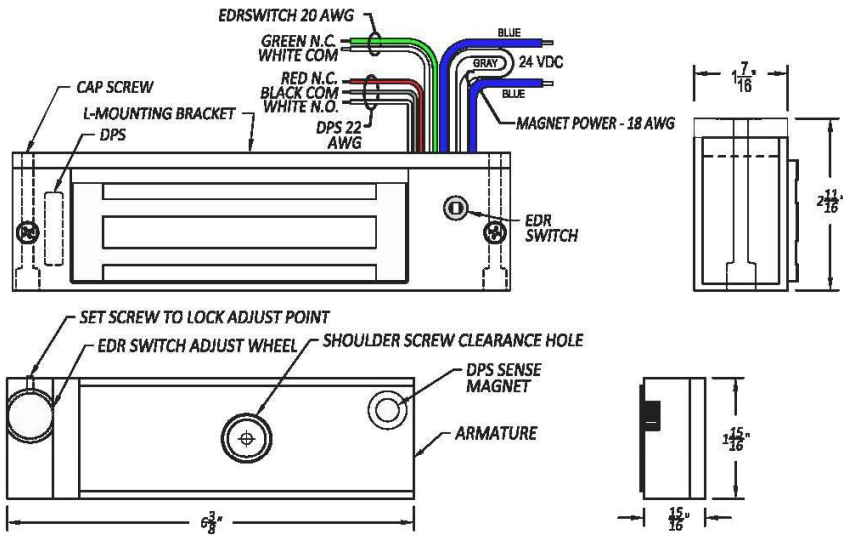
System Compatibility:

Although the 1107xEDR Maglocks were designed to work with the Dortronics 7101-P they will work reliably with most Delayed Egress controllers as well as other security alarm and access control systems.

Extended Service:

The rugged all metal design and durable construction ensures unlimited lock and unlock cycles without electrical fatigue or mechanical breakdown. Our locks are manufactured to the most stringent quality control standards. This allows Dortronics to offer a Lifetime Limited warranty on all 1107 Series electromagnetic locks.





Specifications:

Models

1107xEDR – Single Door standard Outswing (600 Lbs.)

TJ1107xEDR – Single Inswing Door With Z-Bracket (600 Lbs.)

1195-07xEDR – Inswing Conversion Kit Converts a standard 1107xEDR to an inswing Top Jamb mount unit

Physical Size

1107xEDR Housing – 8-1/4" Long x 2-1/4" High x 1-1/4" Deep

TJ1107xEDR Housing & Angle bracket – 8-1/4" Long x 2-1/4" High x 1-1/2" Deep

Electrical:

Operating Voltage (field selectable)
 1107xEDR – 245ma @ 24VDC
 480ma @ 12VDC

Egress Actuator Switch Normally Open rated @ 3 amps @ 30 volts DC

Concealed Door Position Switch SPDT Rated @ 100 Milliamps @ 30 Volts DC

Finish:

1107 series locks are encased in a brushed Clear Anodized Aluminum Housing Electro-magnet face and armature are Zinc plated for high resistance to rust and corrosion.

Installation:

Typically, these locks are mounted on out swinging doors using the Header mounting plate accompanying the unit. This mounting plate has elongated slots for ease of alignment and threaded holes for secure attachment of the lock to the plate. An access hole is also provided in the mounting plate to accommodate the power and control wiring to the delayed egress control panel. The armature mounting plate attaches to the door surface with hardware included. No through bolting is required.

Gate/Inswing Applications:

The TJ1107xEDR units are supplied with an angle bracket prepared for attaching to the face of the door frame. A Z-bracket and mounting hardware are also furnished for the mounting of the armature plate to the door or gate post. **Field convert the 1107 to a TJ1107 with the 1195-07xEDR conversion kit**



DORTRONICS SYSTEMS, INC.

1668 Sag Harbor Tpke., Sag Harbor, NY 11963 (800) 906-0137 (631) 725-8148 Fax www.dortronics.com