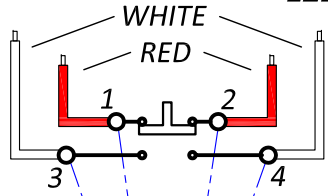


WR5276 SERIES

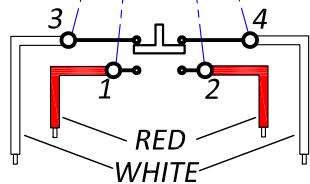
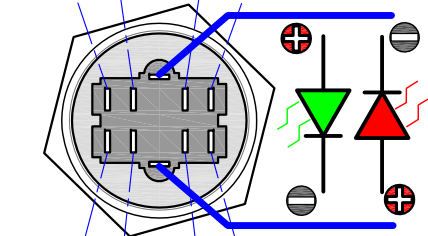
HEAVY DUTY WEATHERPROOF PUSHBUTTONS

- WR5276-HD28** ALTERNATE ACTION
- WR5276-HD28XLRG** ALTERNATE ACTION WITH BI-COLOR LIGHTED RING
- WR5276-HD29** MOMENTARY ACTION
- WR5276-HD29XLRG** MOMENTARY ACTION WITH BI-COLOR LIGHTED RING

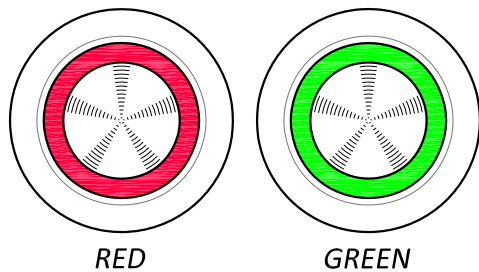
LED REQUIRES 24 VDC



REVERSE POLARITY TO CHANGE LED COLOR

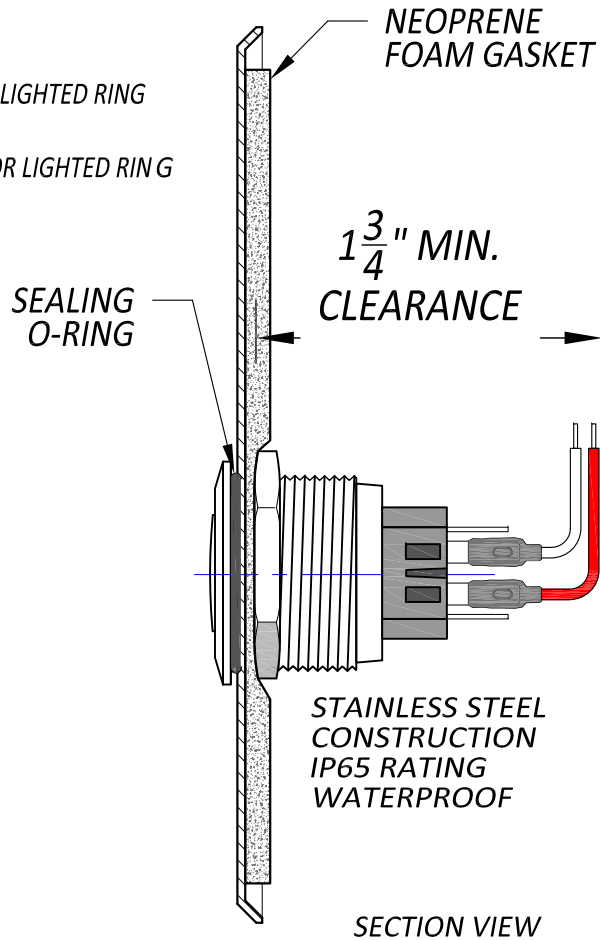


ILLUMINATED RING INDICATOR

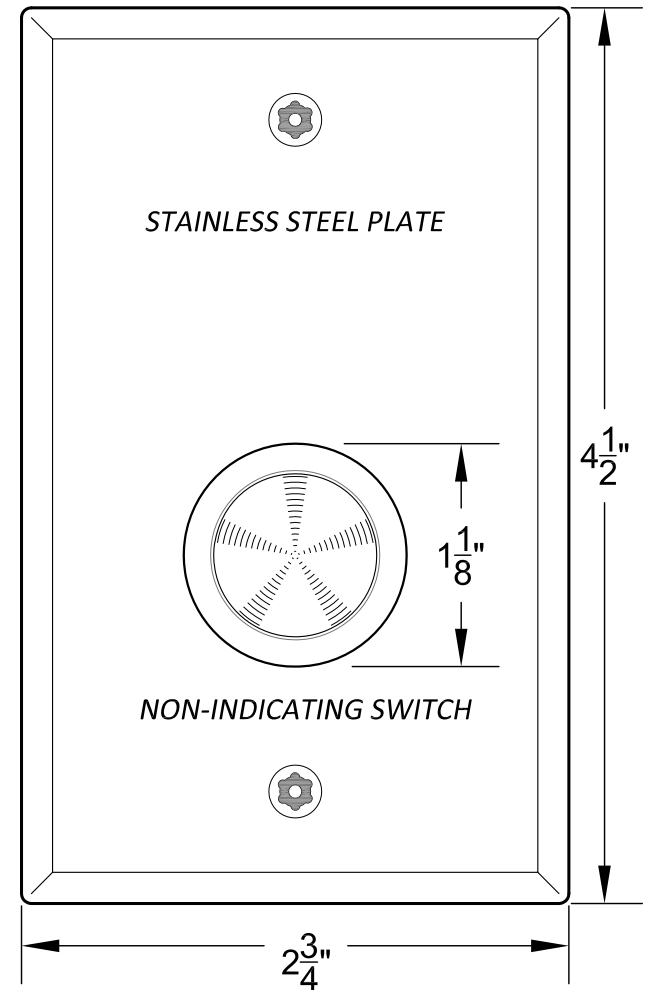


RED

GREEN



SECTION VIEW



ENGRAVING OPTIONS:

- XE1 - "PUSH TO EXIT"
- XE2 - "PANIC"
- XE3 - "EMERGENCY RELEASE"
- XE4 - "PUSH TO RELEASE"
- XE5 - "EMERGENCY DOOR RELEASE"
- XE6 - CUSTOM ENGRAVING

CONTACT RATING:
2 AMPS @ 24 VDC
2 AMPS @ 120 VAC
1 AMP @ 220 VAC

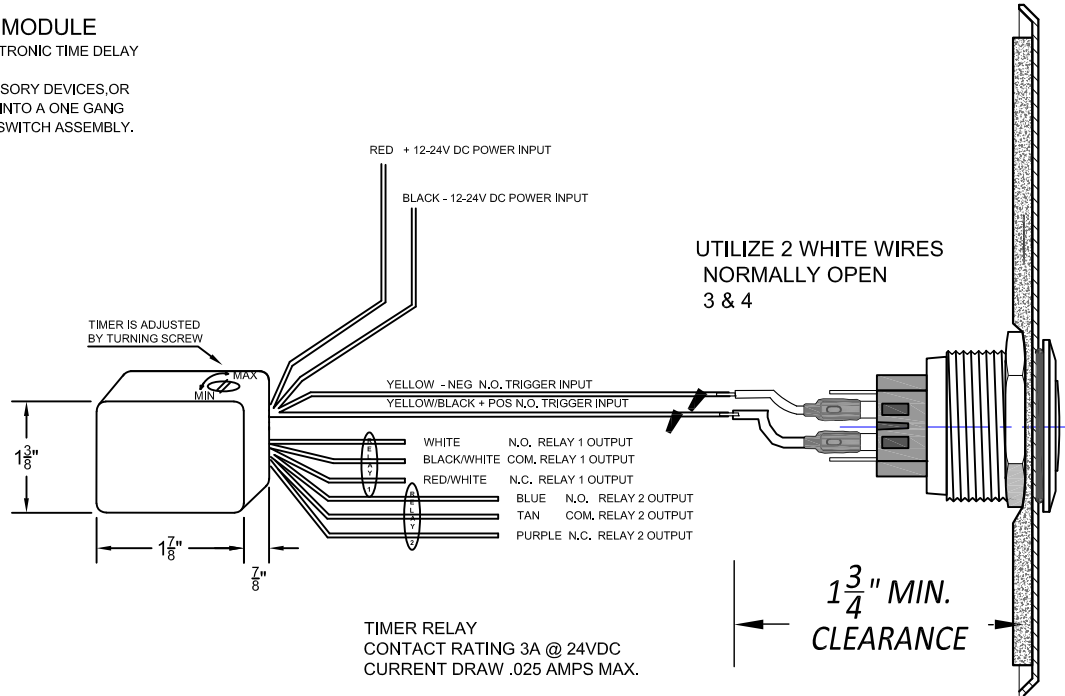
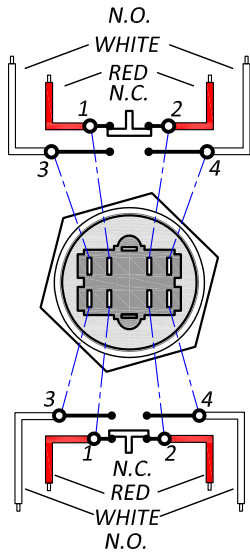
LED RATING:
24 Volts DC
PEAK CURRENT 120 mA
OPERATING CURRENT < 20 mA

WR5276-HD29 SERIES PUSH BUTTONS WITH AT or FT TIMER

DPDT 1-60 SECOND TIMER MODULE

ENCLOSED UNIT FOR PUSH BUTTON ELECTRONIC TIME DELAY
 GRAY ABS PLASTIC ENCLOSURE
 8" FLYING LEADS TO CONNECT TO ACCESSORY DEVICES, OR
 CONTROLLERS. UNIT IS DESIGNED TO FIT INTO A ONE GANG
 ELECTRICAL BOX WITH THE ASSOCIATED SWITCH ASSEMBLY.

ADJUSTABLE (xAT)
 FIXED 30 SECOND (xFT)



TIMER RELAY
 CONTACT RATING 3A @ 24VDC
 CURRENT DRAW .025 AMPS MAX.

REV
 REV

5200 SERIES MOUNTING.DWG

PAGE 1 OF 1

5200-SERIES XAT/FT

DATE:
 5/10/23

BY:
 J.T.F.

WR5276-HD29 PUSH BUTTON & AT TIMER



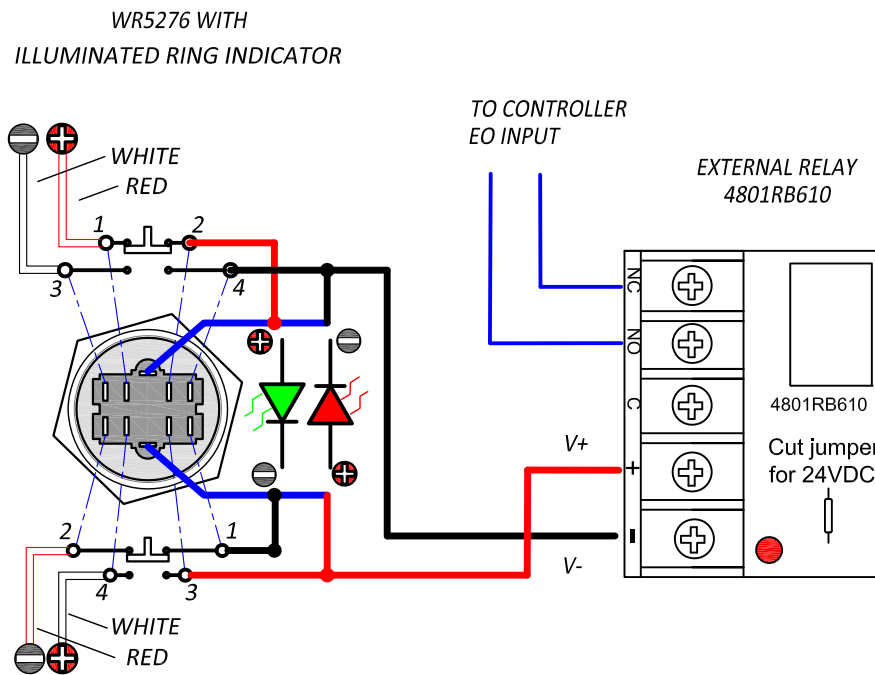
DORTRONICS
 SYSTEMS, INC.
 SAG HARBOR, NY
 800-906-0137



WR5276-HD28XLRG

BI COLOR LED WIRING WITH EXTERNAL RELAY

LED is Green for normal operation
Red when the button is activated.
To instead have a Red LED for normal operation
switch the V+ and V- wires on the relay
Requires external 24VDC relay SPDT
Dortronics part# 4801RB610



REV 1-30-23

SPDT RELAY
RATED 10 Amps @ 24VDC
CURRENT DRAW 50 mA
Red LED Indicates relay is triggered

Also Available 6 per board 6" x 3.2" x .75"
Part#4806RB610



DORTRONICS SYSTEMS, INC.

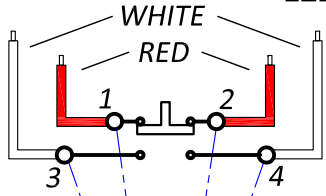
1668 Sag Harbor Tpke., Sag Harbor, NY 11963 (800) 906-0137 (631) 725-8148 Fax www.dortronics.com

WR5276 SERIES

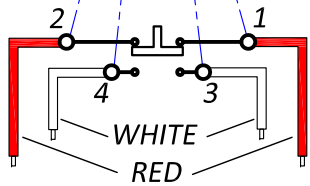
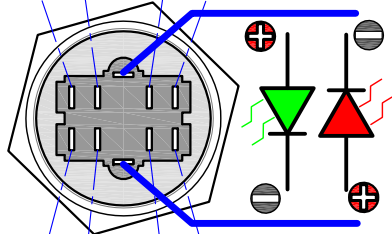
HEAVY DUTY WEATHERPROOF PUSHBUTTONS

- WR5276-HD28** ALTERNATE ACTION
- WR5276-HD28XLRG** ALTERNATE ACTION WITH BI-COLOR LIGHTED RING
- WR5276-HD29** MOMENTARY ACTION
- WR5276-HD29XLRG** MOMENTARY ACTION WITH BI-COLOR LIGHTED RING

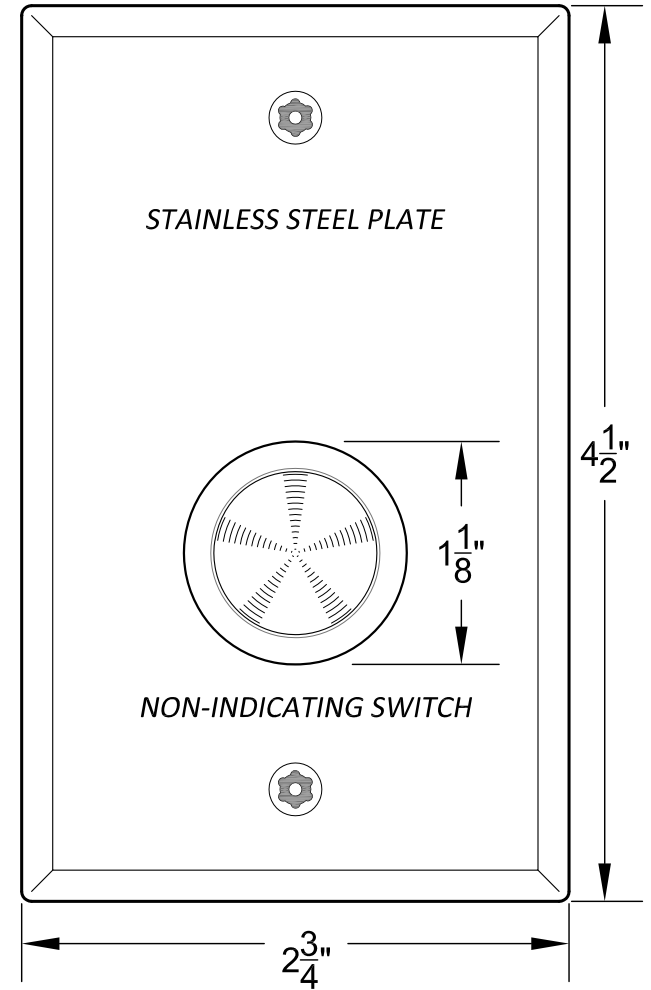
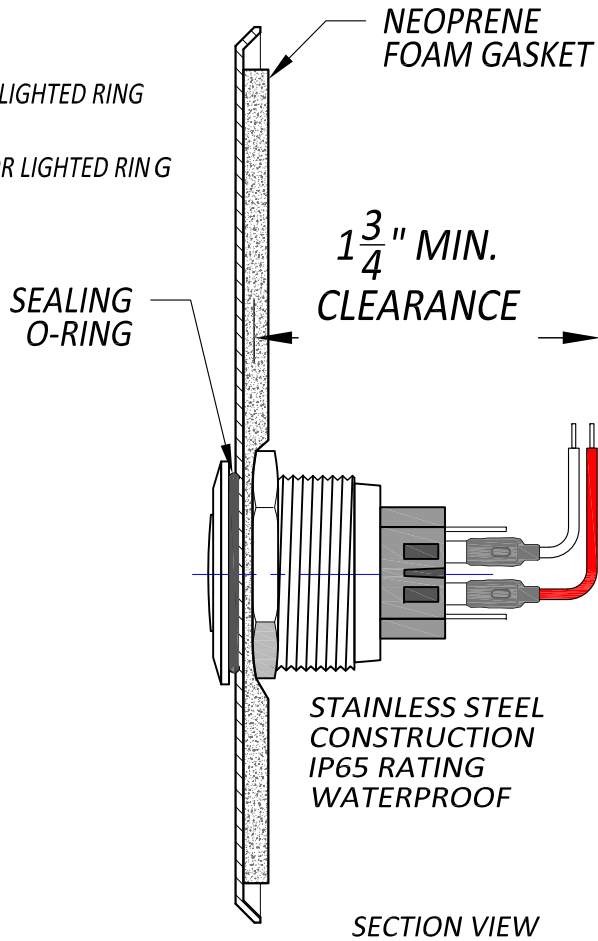
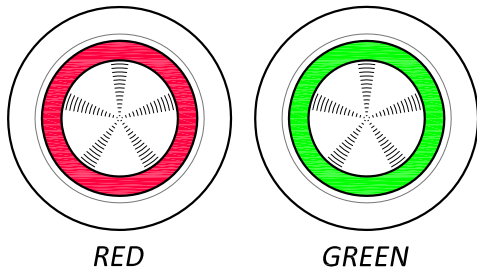
LED REQUIRES 24 VDC



REVERSE POLARITY TO CHANGE LED COLOR



ILLUMINATED RING INDICATOR



ENGRAVING OPTIONS:

- XE1 - "PUSH TO EXIT"
- XE2 - "PANIC"
- XE3 - "EMERGENCY RELEASE"
- XE4 - "PUSH TO RELEASE"
- XE5 - "EMERGENCY DOOR RELEASE"
- XE6 - CUSTOM ENGRAVING

CONTACT RATING:
2 AMPS @ 24 VDC
2 AMPS @ 120 VAC
1 AMP @ 220 VAC

LED RATING:
24 Volts DC
PEAK CURRENT 120 mA
OPERATING CURRENT < 20 mA

REV -

WR5276 SERIES MOUNTING.DWG

PAGE 1 OF 2

WR5276-SERIES

DATE:
6/11/13

BY:
JFH

HEAVY DUTY WEATHERPROOF
STAINLESS STEEL SWITCH



DORTRONICS
SYSTEMS, INC.
SAG HARBOR, NY
800-906-0137

