

## WR5276-HD22 SERIES SWITCH

### Heavy Duty Waterproof Switches



#### Features:

**#WR5276-HD22** – Double Pole Normally Open Switch Mounted on a Single Gang Stainless Steel Plate

**#NWR5276-HD22** – Double Pole Normally Open Switch Mounted on a Narrow 1-3/4" wide Stainless Steel Plate

#### Ideal for Exterior Entry Button or Door Bell

Heavy duty, water proof, push button switch constructed of brushed stainless steel is ideal in exterior applications and for use in harsh operating conditions. A neoprene gasket is included for mounting the switch plate.

A direct replacement for the Edwards 852 series

#### Suitable for Wash down Applications

The WR5276-HD22 series actuating button is rated to a sealing degree of IP66. (Protected against water projected from a nozzle from any direction).

#### Access Control Compatible

Suitable for use with card access systems and/or automatic door openers, the Double Pole Normally Open dry contact outputs can be wired to signal a door to unlock and to the door opener to activate.

#### Optional Engraving

Along with standard switch plate sizes, and standard engraved legends, custom plates and text can be provided to specification with quick turn-around.

#### Convenient Wiring Hook-up

Switches are supplied standard with 6" color coded 22 AWG leads for easy installation.

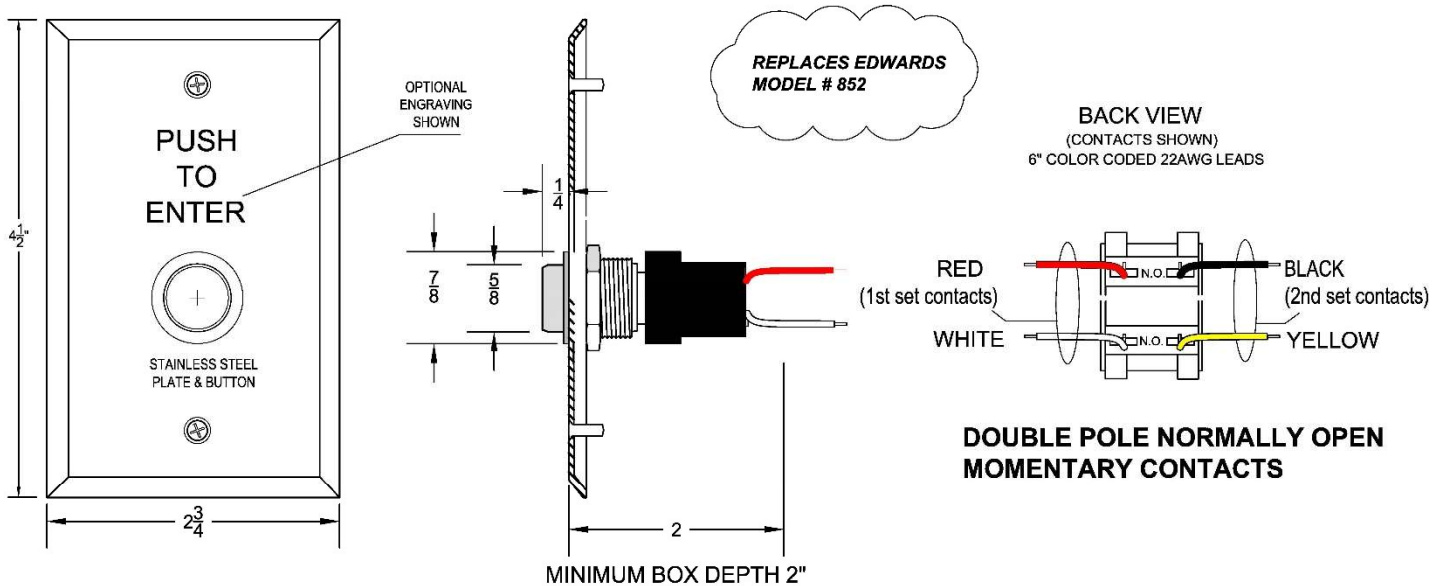
#### Optional Time Delay

An optional FT Timer is available for compliance with NFPA and BOCA codes. These units provide a fixed 30 second unlock time or an AT adjustable 2-60 second delay.



# Product Specifications

## Wiring Hook-up – Dimensions



### Model Description –

WR5276-HD22  
Momentary Double Pole Normally Open Contacts  
rated to a sealing degree of IP66  
neoprene gasket is included  
1-Gang Stainless Steel Switch Plate  
4-1/2" x 2-3/4"

### Electrical –

Load Rating – 12 Amps @ 250 VAC

### Plate Sizes –

Standard as supplied is 1 gang above  
Narrow Plate prefix "N" 1-3/4" x 4-1/2"  
2 Gang Plate prefix "D" 4-1/2" x 4-1/2"

### Options –

#### Prefix

xAT = DPDT-Electronic Timer Module  
2 - 60 Second Adjustable  
xFT = DPDT-Electronic Timer Module  
30 Second Fixed Delay

### Optional Engraving –

#### Suffix

xE7 – "PUSH TO ENTER"  
xE8 – "DOOR BELL"  
xE6 – Custom Engraving

### Specifications –

Unless noted otherwise, switch assemblies shall be flush wall mounted to standard, recess mounted, electrical boxes. Mounting screws will be Phillips head or flat head Pin-in-Hex tamper resistant type stainless steel as required.

Buttons are constructed of Stainless Steel with bezel. The mounting plate shall be constructed of 302 stainless steel with smooth edges on all four sides. Plate finish shall be satin stainless steel. Optional text, if required, will be engraved and paint filled.



# DORTRONICS SYSTEMS, INC.

1668 Sag Harbor Tpke., Sag Harbor, NY 11963 (800) 906-0137 (631) 725-8148 Fax www.dortronics.com