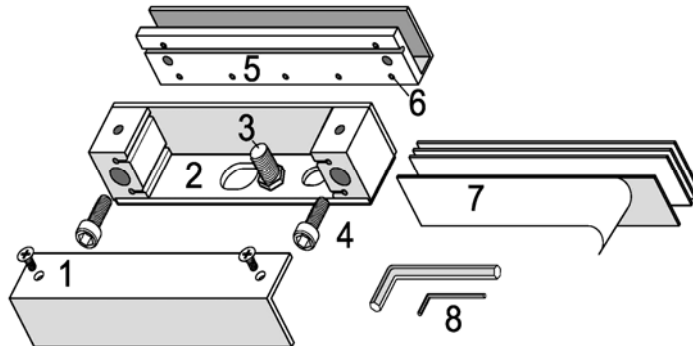


## 3404 DROP BOLT HERCULITE GLASS MOUNT RECEIVER INSTALLATION AND ADJUSTMENT



- |   |                              |   |                    |   |                            |
|---|------------------------------|---|--------------------|---|----------------------------|
| 1 | Receiver Plate Housing Cover | 4 | Shoulder Screws    | 7 | Adhesive Backed Shim Stock |
| 2 | Receiver Plate Assembly      | 5 | U-Bracket Assembly | 8 | Allen Wrenches             |
| 3 | Magnet with Locking Nut      | 6 | Set Screws ((7))   |   |                            |

### PREPARATION:

The 3412 lock body should be installed first. Note that the lock and the receiver must align correctly for reliable operation. Before starting, make sure that the mounting kit is appropriate for the intended application. Depending on the door frame and door location, a surface mount kit may be required for the lock. Use the template supplied to mark, drill and cut an opening in the jamb to mount the lock body. Make all wire connections to the lock. Once the lock is mounted, prepare the receiver assembly by removing the two screws holding the housing cover (1) in place and remove the cover. Set it aside.

### SHIM STOCK:

The mounting kit contains four adhesive backed shims (7). The U bracket (5) is designed to accept door thickness from 1/4" to 1/2". For doors with a thickness of less than 1/2", two or more shims may be required. Measure the door thickness and determine the number of shims to be used.

**NOTE:** Seven hex head set screws [note (6) above] are used to lock the U-Bracket in position on the glass by pressing against the shim stock. Do not tighten the set screws without a shim between the bracket and the glass. Use the small Allen wrench provided (8).

### MOUNTING THE U-BRACKET

After locating and marking the position of the U-Bracket relative to the lock body, apply the shim or shims as required by peeling off the backing to expose the adhesive. Separate the U-Bracket (5) from the Receiver Assembly (2) by removing the two shoulder screws using the large Allen wrench supplied. Slide the U-Bracket over the shim stock, and tighten the set screws (6) to lock the bracket in place. Then reassemble the Receiver assembly to the U-Bracket.

Test the operation of the drop bolt lock and adjust the position of the magnet (3) as required. The magnet should be close enough to the sensor when the door is closed to ensure correct operation of the drop bolt while not binding or interfering with the swing of the door. Adjust the position of the U-Bracket as needed to ensure correct operation of the drop bolt with no binding. Proper alignment of the ball catch and roller ball is important. When the lock is operating correctly and the U-Bracket is locked in place, re-install the housing cover (1) using the two flat head screws provided.

