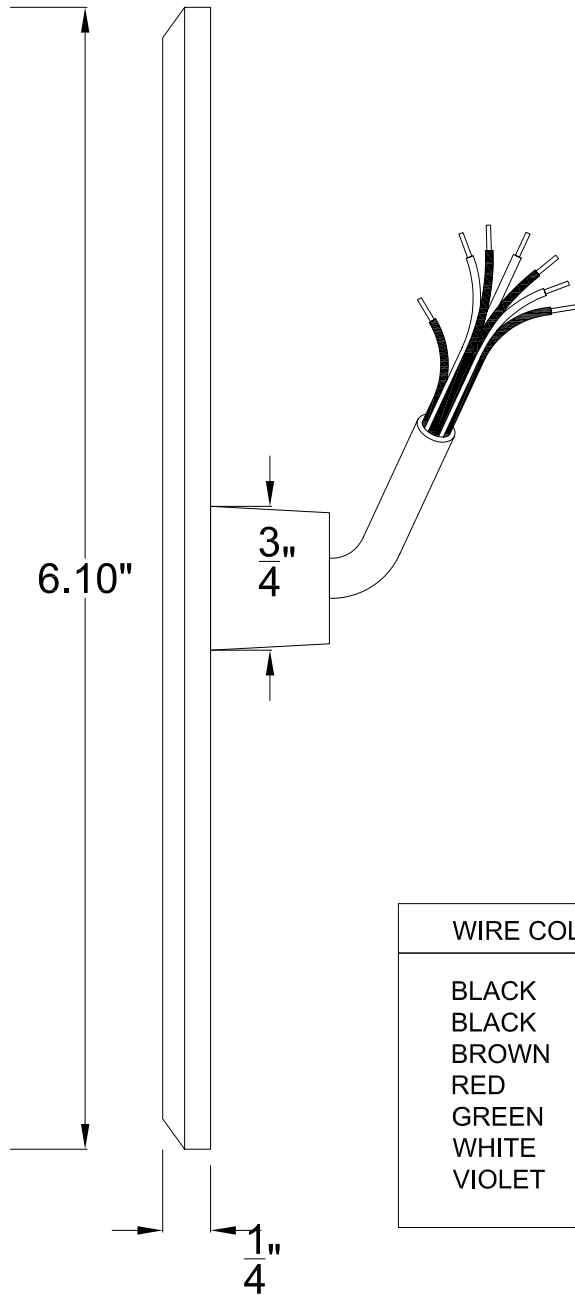
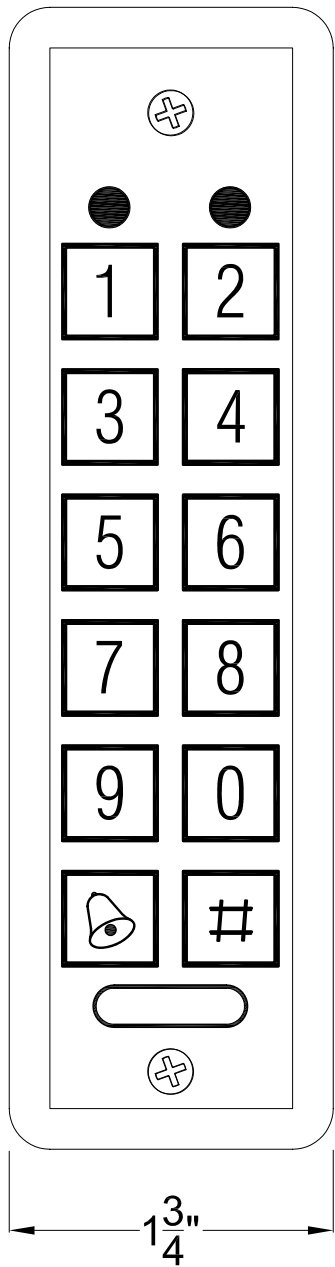


Key Pad Face



WIRE COLOR	FUNCTION
BLACK	Ground
BLACK	Ground/Shield
BROWN	LED CTL
RED	+ 12 Volts DC
GREEN	DATA 0/DATA
WHITE	DATA 1/CLOCK
VIOLET	TAMPER

Rear View

