

NEW PRODUCT

WR5276-HD22 Series Switch

Heavy Duty WaterProof Switches

Ideal for Exterior Entry Button or Door Bell

Heavy duty, water proof, push button switch constructed of brushed stainless steel is ideal in exterior applications and for use in harsh operating conditions. A neoprene gasket is included for mounting the switch plate.

A direct replacement for the Edwards 852 series

Suitable for Wash down Applications

The WR5276-HD22 series actuating button is rated to a sealing degree of IP66. (Protected against water projected from a nozzle from any direction).

Access Control Compatible

Suitable for use with card access systems and/or automatic door openers, the Double Pole Normally Open dry contact outputs can be wired to signal a door to unlock and to the door opener to activate.

Optional Engraving

Along with standard switch plate sizes, and standard engraved legends, custom plates and text can be provided to specification with quick turn-around.

Convenient Wiring Hook-up

Switches are supplied standard with 6" color coded 22 AWG leads for easy installation.



Typical Configurations:

#WR5276-HD22 - Double Pole
Normally Open Switch Mounted
on a Single Gang Stainless
Steel Plate

#NWR5276-HD22 - Double Pole
Normally Open Switch Mounted
on a Narrow 1-3/4" wide
Stainless Steel Plate

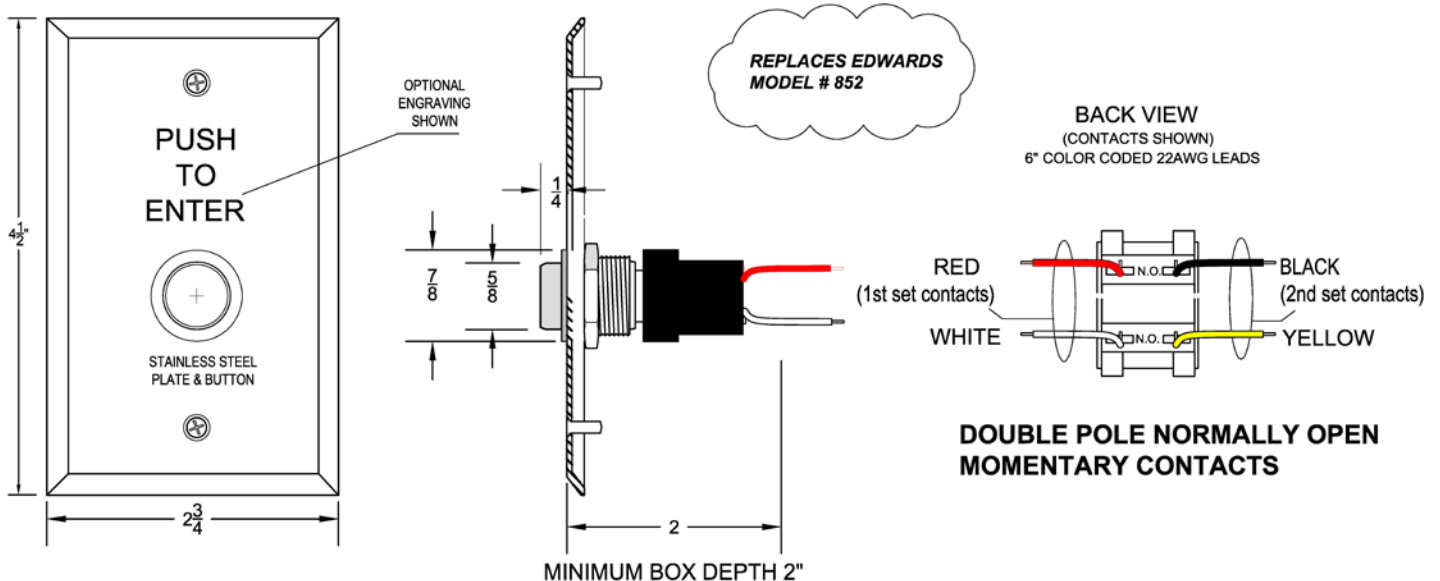


DORTRONICS SYSTEMS, INC.

1668 Sag Harbor Tpke., Sag Harbor, NY 11963 (800) 906-0137 (631) 725-8148 Fax www.dortronics.com

Product Specifications

Wiring Hook-up – Dimensions



Electrical –

Load rating – 12 Amps @ 250 VAC

Specifications –

Unless noted otherwise, switch assemblies shall be flush wall mounted to standard, recess mounted, electrical boxes. Mounting screws will be phillips head or flat head Pin-in-Hex tamper resistant type stainless steel as required.

Buttons are constructed of Stainless Steel with bezel. The mounting plate shall be constructed of 302 stainless steel with smooth edges on all four sides. Plate finish shall be satin stainless steel. Optional text, if required, will be engraved and paint filled.

Model Descriptions –

WR5276-HD22
Momentary Double Pole Normally Open contacts
1-Gang Stainless Steel Switch Plate
4-1/2" x 2-3/4"

Plate Sizes –

Standard as supplied is 1 Gang above
Narrow Plate prefix "N" 1-3/4" x 4-1/2"
2 Gang Plate prefix "D" 4-1/2" x 4-1/2"

Optional Engraving –

Suffix

xE7 – "PUSH TO ENTER"

xE8 – "DOOR BELL"

xE6 – Custom Engraving



DORTRONICS SYSTEMS, INC.

1668 Sag Harbor Tpke., Sag Harbor, NY 11963 (800) 906-0137 (631) 725-8148 Fax www.dortronics.com