

# NEW PRODUCT

## 3400 Series Drop-bolt Lock

### Electric Drop-bolt Lock



#### Typical Configurations:

- #3412** – Fail-Safe 12 VDC Drop-bolt for Recessed Mounting with Bolt Monitor Switch & Adjustable Time Delayed Relock
- #3402** – Fail-Safe 12 VDC Surface Mount Drop-bolt & Receiver Bolt Monitor Switch & Adjustable Time Delayed Relock
- #3404** – Herculite Door Mounted U-Bracket Receiver Housing for use with 3412 Drop-bolt

#### Universal Applications

The 3400 series drop-bolt can be used on single acting inswing or outswing doors or double acting doors. These units provide reliable locking without the difficulties encountered with “shear” locks.

Mounting options include the 3412 mortise mount and the 3402 surface mount unit.

#### Suitable for Herculite Doors

Electric drop-bolts can be utilized on Herculite frameless glass doors up to ½” thick with the 3404 U-bracket receiver housing.

#### Automatic Alignment Sensor

A unique logic circuit keeps the drop-bolt retracted until the door has been closed and is properly aligned to assure engagement of the lock bolt. The door position sensor mounted on the strike plate will work with a door gap of up to 3/16” and is fully adjustable to ensure correct operation in spite of poor door and frame alignment. The mechanical alignment ball on the 3412 face plate is adjustable over a wide range to compensate for excessive door gap and to improve accuracy. The door position sensor is disabled after the bolt is engaged to increase security.

#### Field Adjustable Timed Relock

The time delayed relock (time between door being closed and the bolt engaging) is selectable for up to 9 seconds by Dip Switch settings. A normally closed contact controls the lock bolt activation.

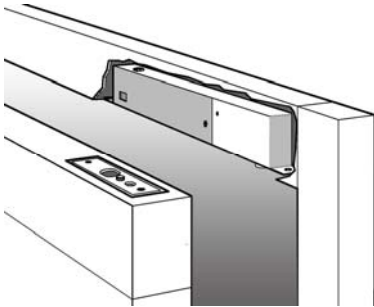
#### Low Current Draw

The drop-bolt requires less than 1 amp to extend and engage and draws only 0.3 amps in the holding mode. This design conserves power and extends the life of the drop-bolt.

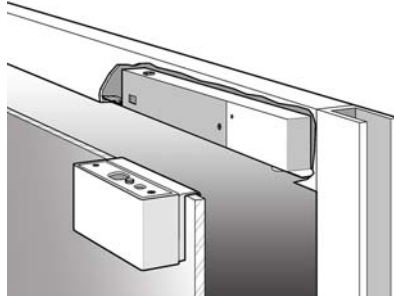
### DORTRONICS SYSTEMS, INC

1668 Sag Harbor Tpke. – Sag Harbor, NY 11963  
(800) 906-0137 - (631) 725-0505 - (631) 725-8148 FAX

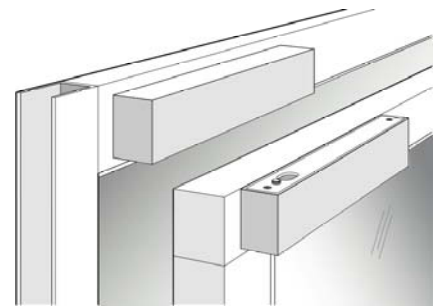
### Recess Mounting – 3412



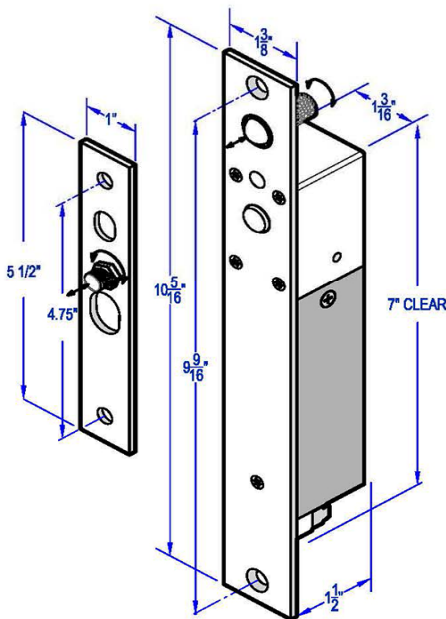
### Herculite Mounting – 3404



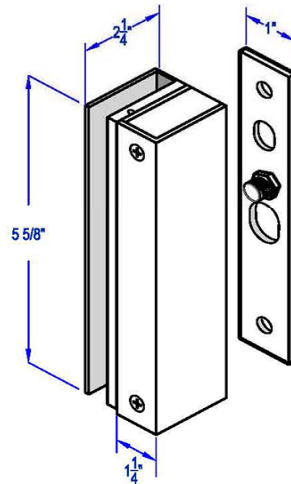
### Surface Mounting -- 3402



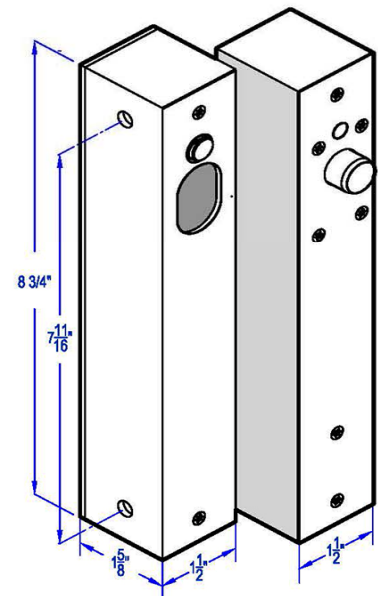
### 3412 DROP BOLT



### 3404 ADAPTOR



### 3402 DROP BOLT



#### Models –

#3412 – Fail-Safe 12 VDC Drop-bolt for Recessed Mounting  
Relock with Bolt Monitor Switch & Adjustable Time Delay

#3402 – Surface Mount Drop-bolt & Receiver  
with Bolt Monitor, Door Position Switch & Adjustable Time Delay

#3404 – Herculite Door Mounted U-Bracket  
Receiver Housing for use with #3412 Drop-bolt

#### Specifications –

Electrical Power = 12 VDC

Current Draw = 0.9 Amp Maximum @ retraction  
0.3 Amp Holding

Operating Temperature = - 14 to +135° F

Delayed Relock Timer = 1, 3, 6 or 9 Seconds

Normally Closed Circuit = Fail Safe Operation

Lock Bolt Relay Contacts rated 1 amp @ 24VDC

Door Position Contacts rated 1 amp @ 24VDC

Bolt Projection length 9/16"

Faceplate = Stainless Steel

Housing Covers = Stainless Steel