



## 6400 SERIES EGRESS DEVICES

**Positive Rim Type  
Mechanical Latch  
or  
Non-Latching  
Signal Switch Bar**

**“Soft Push”  
Smooth Action**

**Contemporary  
Sleek Styling**

**Field Reversible  
Handing**

**Quick & Easy  
Installation**

**Optional Armored  
Door Cord**



### **Secure Positive Latching**

The rim type 6495 series egress bar provides a strong mechanical latch by utilizing a sintered steel latchbolt with an adjustable jamb mounted roller strike plate. These exit bars are intended for mounting on outward swinging doors to facilitate the safe egress of persons in the facility. The smooth action allows reliable egress by a soft push to any area of the actuating bar in compliance with ADA criteria.

### **Aesthetically Attractive & Durable**

This sleek contemporary styled device has been designed to provide years of maintenance free operation. Manufactured from the highest quality materials, this egress bar is suitable for use with aluminum/glass, wood or metal doors.

### **Request-to-Exit & Alarm Signaling**

The 6495 egress bars are also available with dual SPDT microswitches for use with access control or security alarm systems. The 6420 series device is a “dummy” bar, without the latching mechanism. This bar is also offered with dual SPDT switches.

### **Optional Accessories**

A 4-conductor armored door cord #6220 is available to transfer electrical circuitry from the microswitches to the door jamb. Matching finishes may also be specified as needed.

### **Easily Installed**

Universal adjustable installation allows this rim type device to be mounted on any single out-swinging door. Bars are supplied for standard 36" wide doors but extra-length 48" long bars may be ordered and cut down in the field to fit other size doors. These devices can be securely anchored to any door using the concealed mounting screws provided. The 6495 egress bars can also be utilized for securing double doors through the use of a center mullion.

### **Conforms to Codes**

This rim type exit device meets ADA requirements. The installation and use of doors on which this hardware is mounted are intended to be in accordance with NFPA 101, "Code for Safety to Life from Fire in Buildings and Structures."

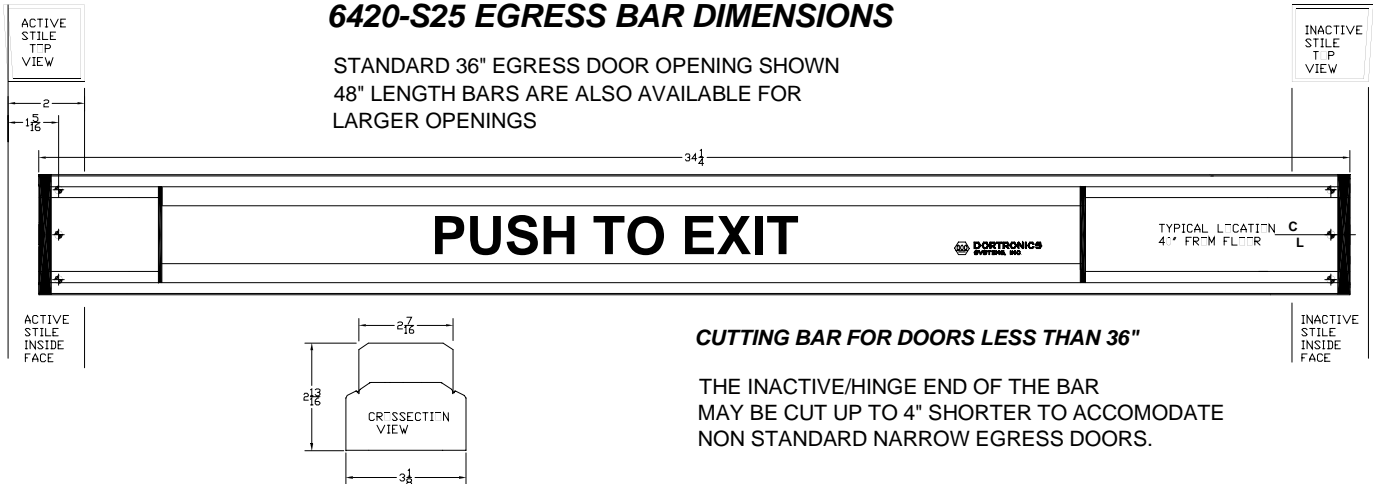
These rim type egress bars have been evaluated in accordance with the requirements of ANSI/BHMA A156.3. The basic UL standard used to investigate products in this category is UL 305, "Panic Hardware."



# 6400 SERIES EGRESS DEVICES

## 6420-S25 EGRESS BAR DIMENSIONS

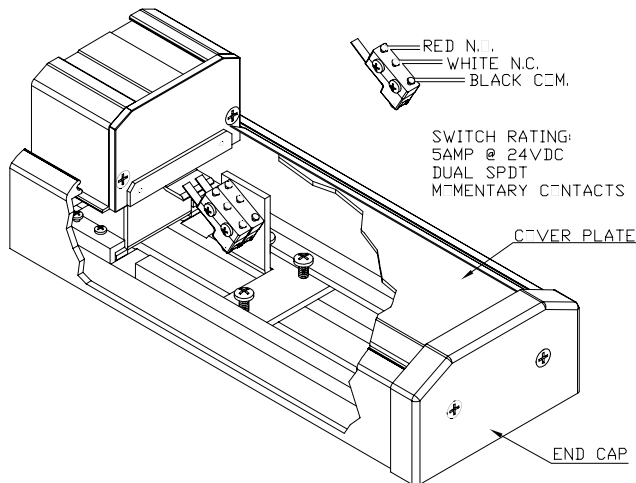
STANDARD 36" EGRESS DOOR OPENING SHOWN  
48" LENGTH BARS ARE ALSO AVAILABLE FOR  
LARGER OPENINGS



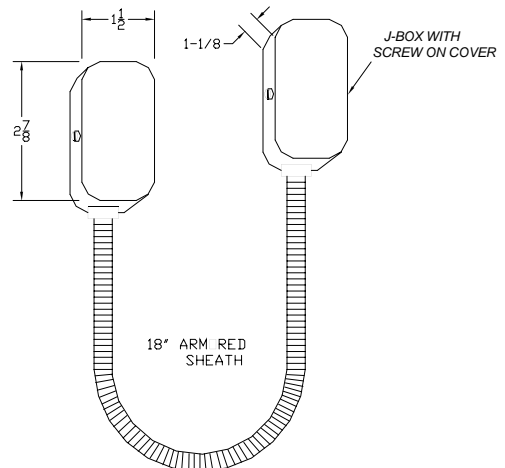
### CUTTING BAR FOR DOORS LESS THAN 36"

THE INACTIVE/HINGE END OF THE BAR  
MAY BE CUT UP TO 4" SHORTER TO ACCOMMODATE  
NON STANDARD NARROW EGRESS DOORS.

## OPTIONAL S25 DUAL SWITCH WIRING




## OPTIONAL 6220 DOOR CORD



### Model Descriptions:

6420-S25 = Dummy Bar with no latch  
Mechanism 2 SPDT switches  
for standard 3'-0" door

6495 = Rim Panic Mechanical  
for 3'-0" door.   
(This Unit is a UL listed Panic Device)

6495-S25 = Rim Panic Mechanical  
With 2 SPDT switches  
for standard 3'-0" door

6220 = Armored Door Cord 18" sheath  
2' 4 conductor cable 22awg.  
with 2 surface mounted J-Boxes

### Mechanical-Electrical:

Immediate response contacts  
Dual Momentary P25  
Rated 5 amps @ 24VDC

All switches are furnished with 8" long  
color-coded stranded wire leads for ease  
of identification and customer hook-up.

### Finishes:

Standard is clear Anodized aluminum.  
Suffix below as required.  
xDBA = Dark Bronze Anodized  
xUS3 = Plated Polished Brass  
xUS4 = Plated Satin Brass

**Longer length 48" bars available upon  
request, check with factory.**

### Specification Guide:

Panic Hardware shall be manufactured by  
Dortronics Systems, Inc. Internal switches  
shall be momentary type P25=dual SPDT  
rated 5 amps @ 24VDC.  
where scheduled.

Unless noted otherwise, Mounting screws  
will be hex head 1/4-20 stainless steel  
Cap screws.

Entire device housing shall be constructed  
of anodized aluminum with smoothed and  
beveled edges .

Plated finishes shall be Polished or Satin  
over the plating. "PUSH TO EXIT" Text  
will be provided via a Mylar Insert on the  
Active portion of the device



**DORTRONICS  
SYSTEMS, INC.**

1668 SAG HARBOR TURNPIKE, SAG HARBOR, NY 11963  
www.dortronics.com - (800) 906-0137 - (516) 725-4234 FAX