

DORTRONICS SYSTEMS, INC.

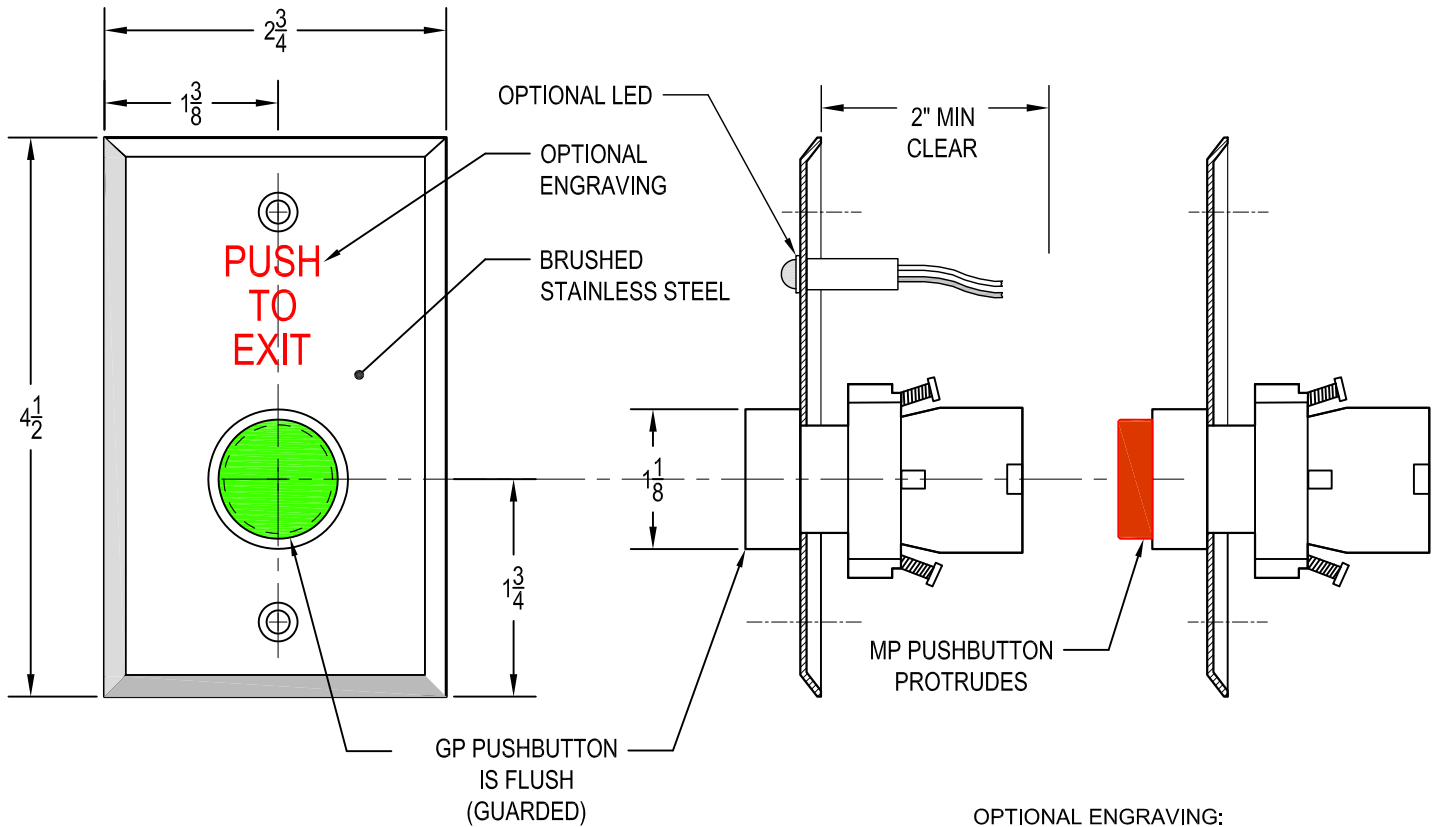
1668 Sag Harbor Tpke., Sag Harbor, NY 11963 - (800) 906-0137 - (631) 725-8148 Fax - www.dortronics.com

5276 GP9/MP9 SERIES

MOMENTARY PUSHBUTTON

1-1/8" DIAMETER

SINGLE GANG PLATE

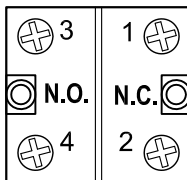


OPTIONAL ENGRAVING:
[RED TEXT]

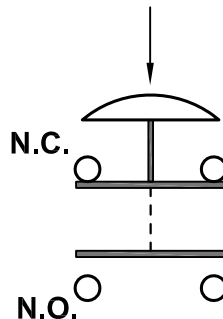
- XE1 = **PUSH TO EXIT**
- XE3 = **EXIT**
- XE4 = **DOOR RELEASE**
- XE5 = **EMERGENCY DOOR RELEASE**
- XE6 = **CUSTOM ENGRAVING**

GP9- MP9

(CONTACTS SHOWN)



ONE SET EACH OF NORMALLY CLOSED
NORMALLY OPEN ISOLATED CONTACTS
SCREW TERMINAL CONNECTION



SPECS:

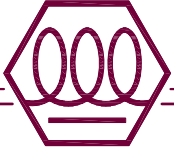
SWITCH RATING: 5211-MP23PP
10A @ 115VAC OR 24VDC
UL RECOGNIZED/CSA CERTIFIED

OPERATING TEMP: +5F - +158F

L.E.D. RATING: .03A @24VDC

FACE PLATE: .032 THICK STAINLESS

OPTIONAL COLOR BUTTONS:
R=RED, BK=BLACK, G=GREEN, BU=BLUE



DORTRONICS SYSTEMS, INC.

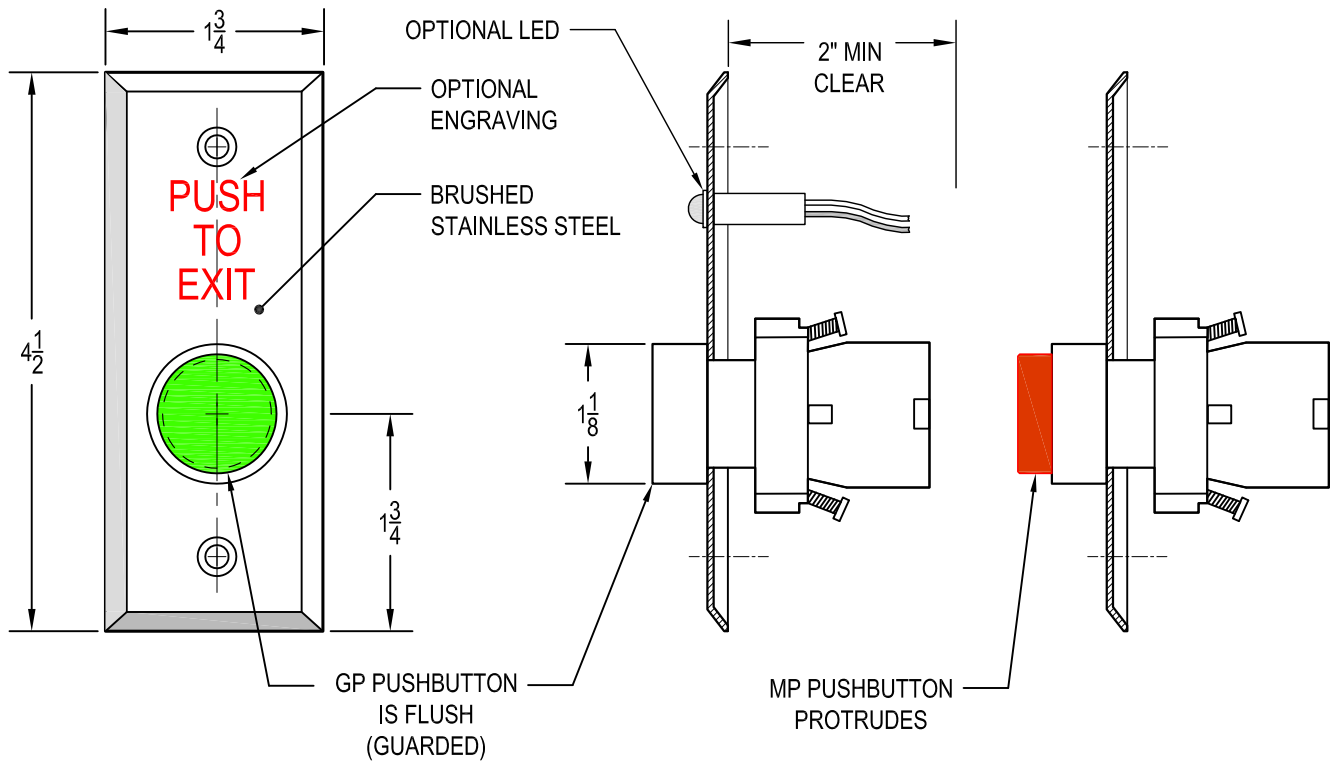
1668 Sag Harbor Tpke., Sag Harbor, NY 11963 - (800) 906-0137 - (631) 725-8148 Fax - www.dortronics.com

N 5276 GP9/MP9 SERIES

MOMENTARY PUSHBUTTON

1-1/8" DIAMETER

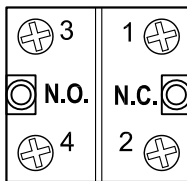
NARROW SINGLE GANG PLATE



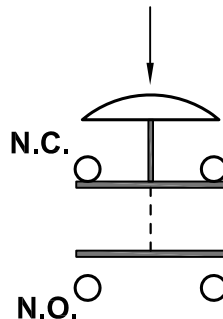
OPTIONAL ENGRAVING:
[RED TEXT]

- XE1R = PUSH TO EXIT
- XE3 = EXIT
- XE4 = DOOR RELEASE
- XE5 = EMERGENCY DOOR RELEASE
- XE6 = CUSTOM ENGRAVING

GP9-MP9
(CONTACTS SHOWN)



ONE SET EACH OF NORMALLY CLOSED
NORMALLY OPEN ISOLATED CONTACTS
SCREW TERMINAL CONNECTION



SPECS:

SWITCH RATING: 5211-MP23PP
10A @ 115VAC OR 24VDC
UL RECOGNIZED/CSA CERTIFIED

OPERATING TEMP: +5F - +158F

L.E.D. RATING: .03A @24VDC

FACE PLATE: .032 THICK STAINLESS

OPTIONAL COLOR BUTTONS:
R=RED, BK=BLACK, G=GREEN, BU=BLUE