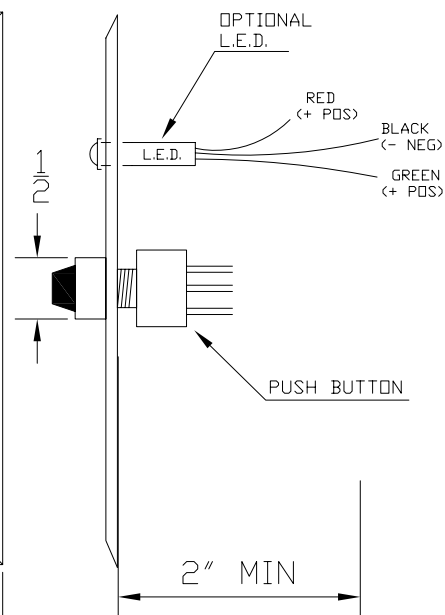
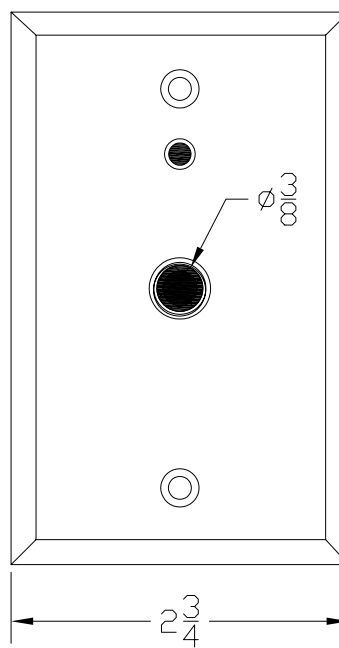
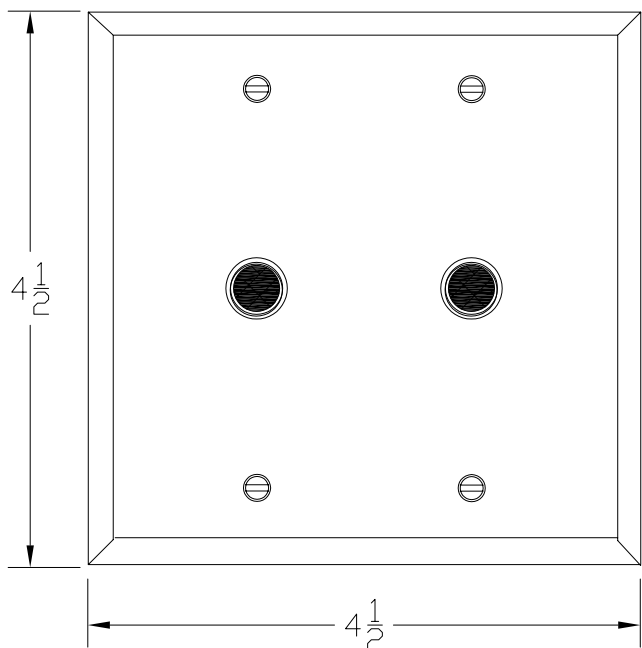


## 5231 SERIES BUTTONS

D5231-2P15  
 OPTIONAL 2 GANG PLATE

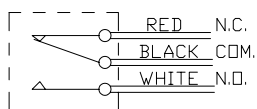
5231-P15XL  
 1 GANG PLATE



### P25 PUSH BUTTONS

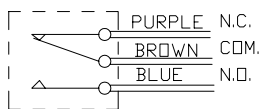
#### SPDT P15

(1 SET OF CONTACTS SHOWN)



#### DPDT- P25

(2ND SET OF CONTACTS SHOWN)



#### SPECS:

SWITCH RATING: P15-25 & 5241-K24  
 3A @ 115VAC OR 28VDC  
 UL RECOGNIZED/CSA CERTIFIED

OPERATING TEMP: +5F - +158F

L.E.D. RATING: .02A @24VDC

FACE PLATE: .032 THICK STAINLESS

#### BI-COLOR L.E.D. OPTION

