



## 5210-KR SERIES KEY RESET BUTTONS

**Positive Latching**

**Key Reset Only**

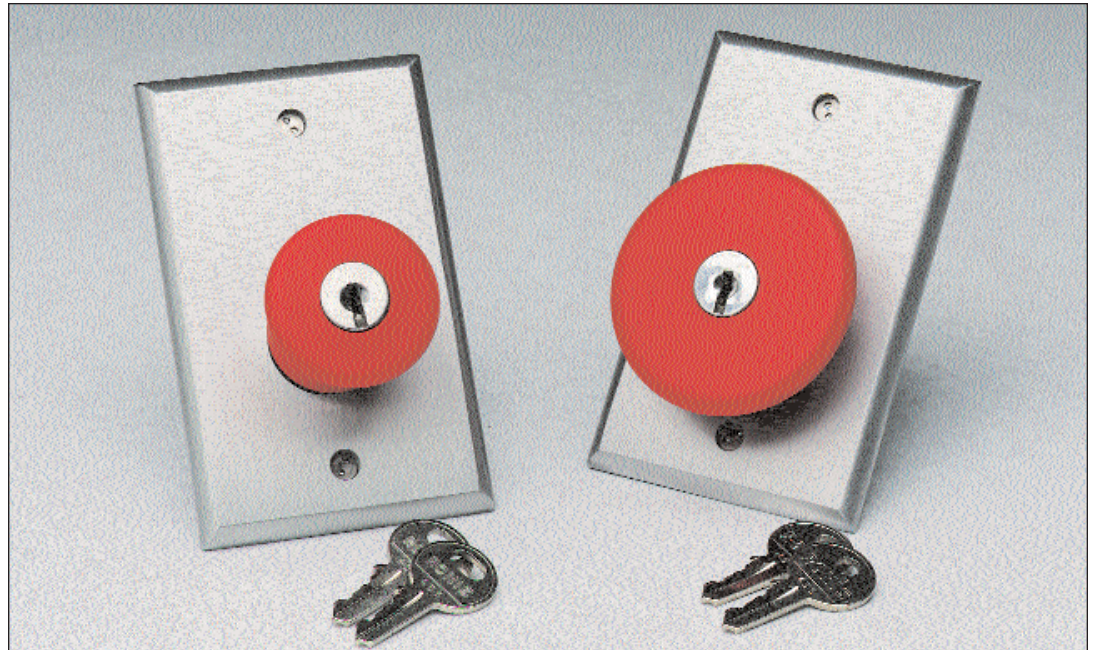
**Heavy Duty**

**Reliable Operation**

**Multiple Contacts**

**Highly Visible**

**Custom Engraving**



### **Easily Recognized and Operated:**

The 5210-KR Series of heavy duty button assemblies provide conspicuous, Emergency Exit door release for electric door locks, or Panic/Alarm activation. These, easy to operate, controls are ideal for use in hospitals, industrial complexes, office buildings, institutions, and parking garage applications.

### **Single or Double Gang Mounting:**

Standard 5210-KR Switches can be supplied on single or double gang stainless steel switch plates. The "N" Series switch plate is furnished with a narrow 1-3/4" plate for mounting on door frames & mullions.

### **Large Button Caps:**

These push button switches are furnished with either a 1-9/16" diameter cap (5211) or the 5216 Push Button Switches are supplied with a large 2-3/8" diameter cap to meet code requirements for some localities.

### **Key Reset:**

Once pushed in the button automatically latches requiring the use of a key to reset. This insures a personal response to the area in order to clear an alarm condition Each button provided with 2 keys.

### **Fail-Safe Redundant Contacts:**

Dual contact blocks, one normally open and one normally closed set are furnished standard. This allows the magnetic lock power to be cut by the normally closed contacts upon switch activation while simultaneously signalling an access control panel with the normally open contact block. Since both sets of contacts are electrically isolated from each other, there are no problems with voltage compatibility. Additional contact blocks may be added for accessory device control, and actuation.

### **Status Indicators:**

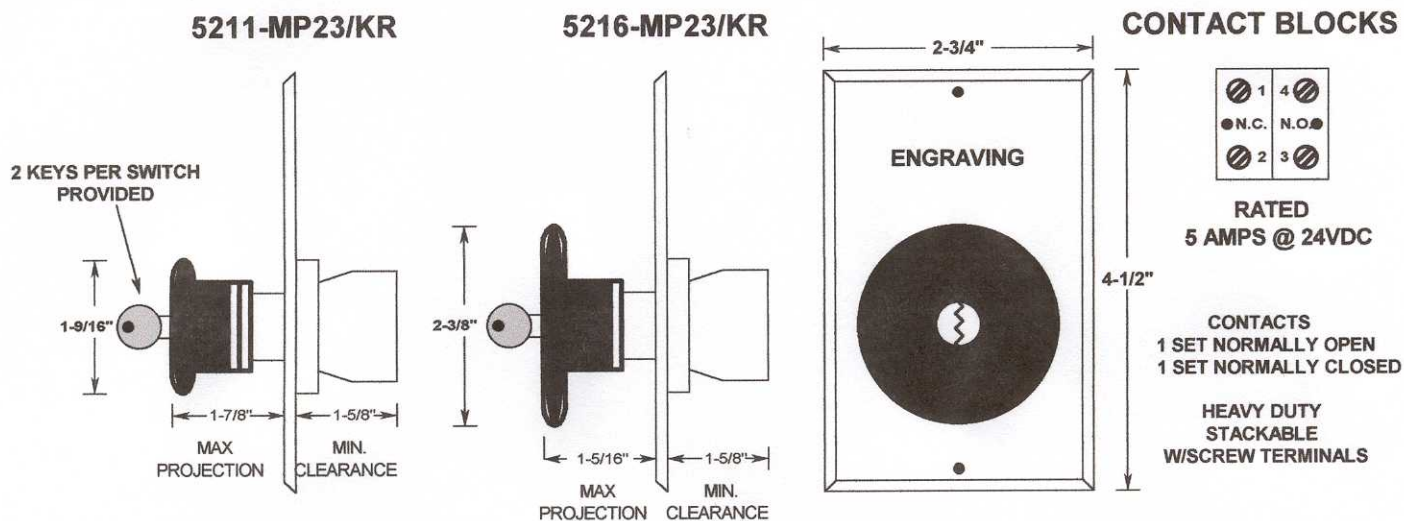
All 5210 Series switch assemblies are available with one or more LEDs. These indicators can be wired to give a red, or green illumination. When LEDs are utilized with door position switches and magnetic bond sensors, the security condition of the door can be indicated.

### **Custom Engraving:**

The stainless steel switch plates can be engraved with standard or custom wording. Block style lettering is typically 1/4" to 3/8" tall. Engraved letters are typically filled in red to enhance readability.



# 5210-KR SERIES KEY RESET BUTTONS



## Model Descriptions:

### 1-9/16" DIAMETER PUSH BUTTONS:

5211-MP23/KR = Maintained Push Button Switch with 1-N.O. & 1-N.C. Contact on Single Gang Plate

N5211-MP23/KR = Same as above on 1-3/4" Narrow Switch Plate for frame mounting

D5211-MP23/KR = Same as above on Double Gang Plate

### 2-3/8" DIAMETER PUSH BUTTONS:

5216-MP23/KR = Maintained Push Button Switch with 1-N.O. & 1-N.C. Contact on Single Gang Plate

N5216-MP23/KR = Same as above on 1-3/4" Narrow Switch Plate for frame mounting

D5216-MP23/KR = Same as above on Double Gang Plate

### CONTACT BLOCKS:

-02CB Additional N.O. Contact Block

-03CB Additional N.C. Contact Block

### LED INDICATOR OPTIONS:

xL1 = One Bi Color LED

### ENGRAVING OPTIONS:

xE1 = "PUSH TO EXIT"

xE2 = "PANIC"

xE3 = "EMERGENCY RELEASE"

xE4 = "PUSH TO RELEASE"

xE6 = Custom Engraved

## Electrical Specification:

### AC OPERATION:

Inductive Loads -

Make = 60 amps @ 120 VAC Max.

Continuous = 10 amps @ 120 VAC

Break = 6 amps @ 120 VAC

### DC OPERATION:

Inductive & Resistive Loads -

Make = .55 amps @ 125 VDC

Continuous = 2.5 amps @ 125 VDC

Break = .55 amps @ 125 VDC

### CONTACT BLOCKS:

An almost unlimited number of circuit control options are possible using various combinations of contact blocks. Multiple contact blocks with normally open and/or normally closed may be stacked together for low voltage switching, dependent upon clearance space available. Double break silver contacts are enclosed in a tough molded housing. Designed-in rocking action insures long, reliable life; typically over five million operations in normal use.

### OPERATING TEMPERATURE RANGE:

-25°C to +70°C



## Specification Guide:

Switch controls shall be manufactured by Dortronics Systems, Inc. Push button switch controls shall be alternate action, SPST or DPST (6 amps @ 120VAC minimum) as scheduled. Push Button Switch caps shall be at least 1-9/16" or 2-3/8" diameter, and red in color as required by local fire code authority.

Unless noted otherwise, push button switch assemblies shall be flush wall mounted to standard, recessed, electrical boxes. Mounting screws shall be slotted oval head stainless steel. Pin in Torx Head tamper resistant screws shall be supplied where required.

Push button switch mounting plates shall be constructed of stainless steel in single gang, double gang or narrow style for mullion mounting as noted. Switch plates shall have beveled edges on all four sides. Switch plate assemblies shall be supplied with engraved, paint filled lettering as designated.

### Distributed by:

1668 SAG HARBOR TURNPIKE, SAG HARBOR, NY 11963  
 www.dortronics.com - (800) 906-0137 - (631) 725-8148 FAX