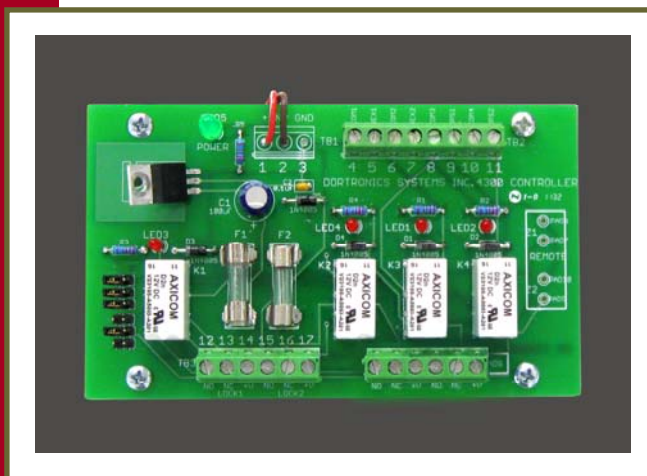


# 4300 Mantrap/Interlock Controller

## 4300 Series Economical Mantrap/Interlocks

# 2 Door Interlock Controller



### Typical Configurations:

**#43211-U – 2-Door / 1-Room Normally Unlocked Doors**

**#43211-L – 2-Door / 1-Room / Normally Locked Doors**

**#43211-L/U – 2-Door / 1-Room**

1 Normally locked Door

1 Normally Unlocked Door

### Secure Interlock Door Control

The #4300 series door interlock controller provides an economical solution for small systems. This unit can be configured to allow only one door, in a 2-door vestibule, to be unsecured at a time. The second door is secured and inhibited from opening while the first door is accessed to maintain the highest level of control.

### Environmental or Security Control

Suitable for air locks or security mantraps, this controller can be field configured as both doors normally unlocked or normally locked or one door locked and one unlocked.

### Access Control Compatible

Any access control system can be used with the 4300 series controllers. The request for access input recognizes any normally open dry contact. The door unlock sequence will follow the status of the request for access input unless the optional AT-timer is specified.

### Integral 12/24 VDC Power Supply

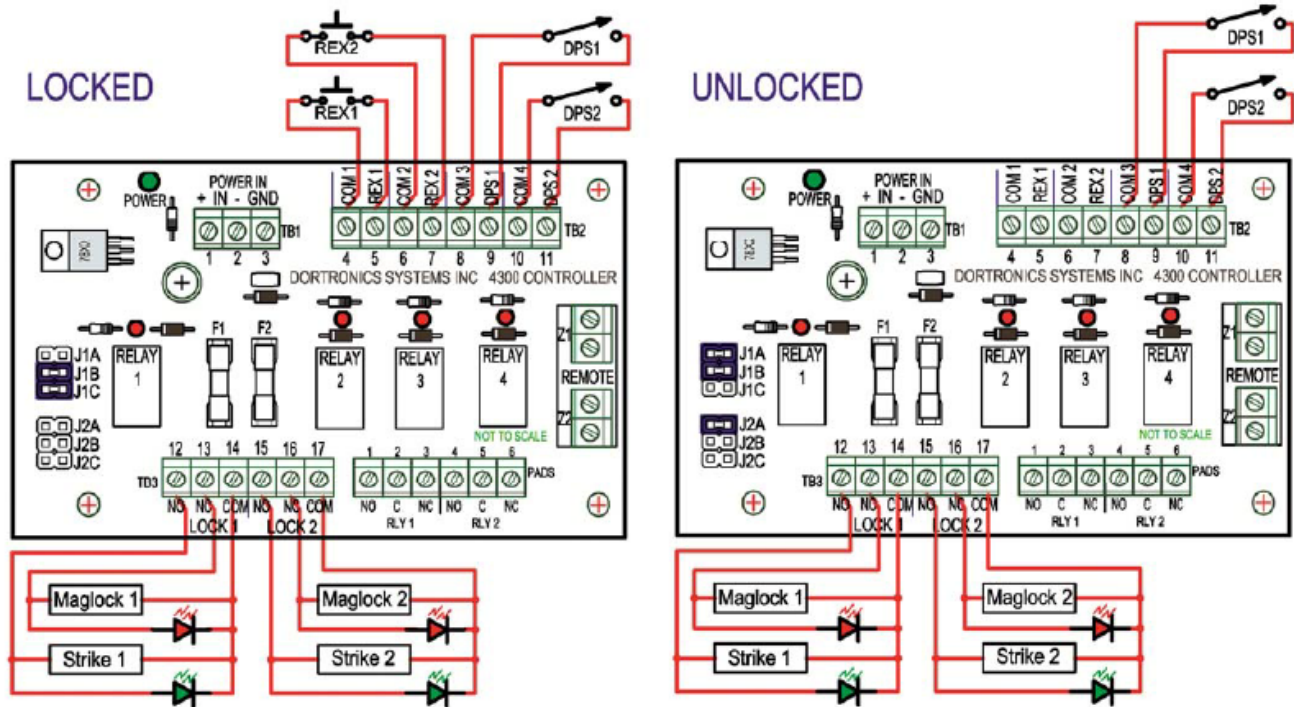
The 4300 is powered from the built-in 4 amp power supply which also provides 12 or 24 VDC to operate maglocks and/or strikes for each of the doors. The heavy-duty power supply is ready for hook-up to the fire alarm system. An alarm output is also provided for monitoring the control system.

**DORTRONICS SYSTEMS, INC**

1668 Sag Harbor Tpke. – Sag Harbor, NY 11963  
(800) 906-0137 - (631) 725-0505 - (631) 725-8148 FAX

# Product Specifications

## Wiring Hook-up –



## Physical Data –

Enclosure- 12" x 15" x 4" deep NEMA enclosure will accommodate one I/O module with power supply. Additional modules require larger enclosures.  
4300 Module - 5" x 3" overall

## Electrical –

AC Input - Fused 110 VAC  
DC Output - 4 amp field selectable 12 or 24 VDC

## Inputs –

Two Dry Contact Inputs for Door Status (Contact closed when is door secure)  
Two Dry Contact Inputs for Request to Access (Contact normally open)

## Outputs –

Two Relay Outputs - DPDT Contacts rated 1.6 Amps @ 28 VDC (One for each door lock (Maglock or strike plus LED traffic indicators for each door.)

## Operation –

Only one door may be unlocked or open at any time. Unlocking or opening one door automatically secures the other door of the designated area. A request for access at any normally locked door will inhibit the REX inputs for the other locked door or secure the other door if unlocked.

Lock relay contacts will switch low voltage power to maglocks and/or strikes. The lock relay contacts also allow low voltage red and green LEDs to be utilized for indication of lock status. For user feedback, typically a green light indicates that access is permitted, while a red light signals that another door is open and access is denied at this door.

If special requirements such as indication of alarm conditions or custom timed operations are required, contact the factory for use of a PLC based controller.

Call for additional information and pricing..