

# 4300 Communicating Bathroom

## Fail-Safe Control for Use with Maglocks, Strikes or Electrified Locksets



### Typical Equipment:

#### #43211-CB

**Lock Controller & Power Supply**  
12/24 VDC 4 amp Power Supply with Control Relays & Fire Alarm Interface

#### #5276-GP9xE3

**Emergency Release Push Button**  
Momentary Push Button for Emergency Lock Release

#### #WR5276-HD29xLRGxCB

**Privacy Push Button Actuator**  
Illuminated Momentary Push Button with LED Lock Indicator

#### #7201xL1R-HxCB

**OCCUPIED LED Indicator**  
Hi-Intensity LED Indicator

#### #3300xD

**Electric Strike with Bolt Monitor**  
Standard ANSI strike with SPDT latch switch

#### #1107xD

**Maglock with Door Position Switch**  
600 Lb. holding force with SPDT door switch

### Dual Voltage / Built-in Power Supply

The system provides 4 amps of 12 or 24 volts DC to power low-voltage locking mechanisms.

### Versatile Control

The communicating bathroom system is designed to operate virtually any low-voltage fail-safe electric lock. Maglocks can be used as well with push buttons at each door to allow the user to exit.

### Mechanical Egress

Electric strikes offer a simple mechanical means of exiting the bathroom when used with standard manual locksets having the "storeroom" function. Unimpeded egress is possible at any time. Emergency access to the bathroom by key is also possible when using manual locksets. A latch bolt monitor switch can be used to signal the controller to unlock both doors when either lockset handle is operated.

### Visual Status Indicators

Hi-Intensity LEDs indicate when the bathroom is occupied. The interior "privacy" push buttons are also illuminated to show that the privacy function has been activated and that the doors are locked.

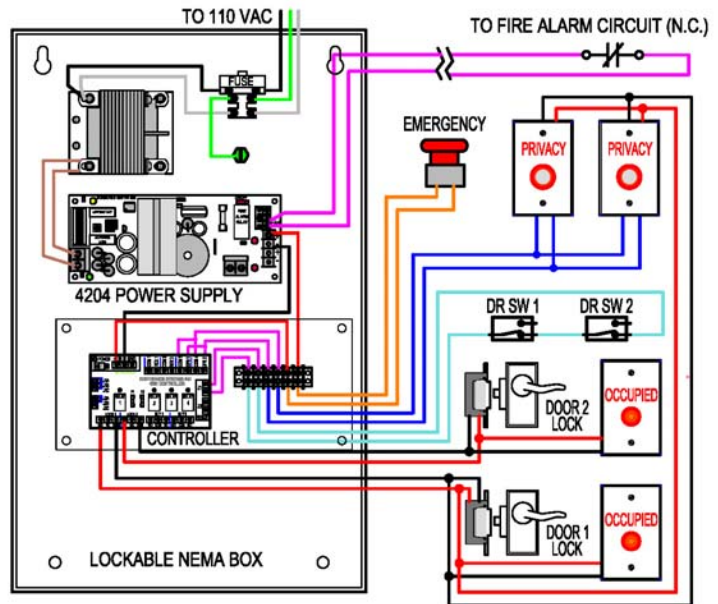
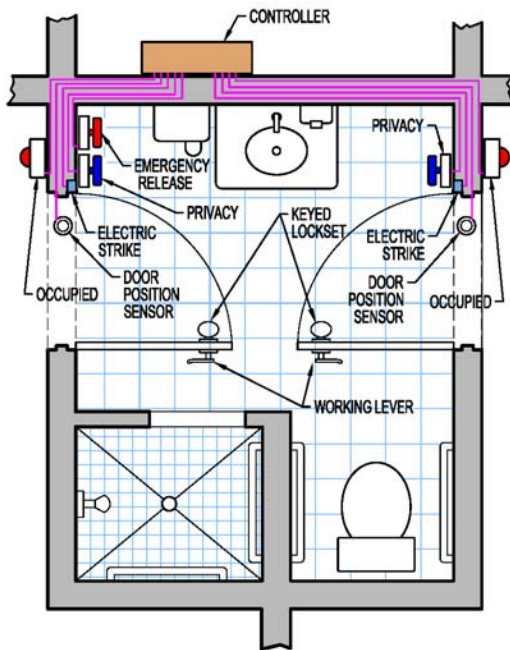
### Fire Alarm Interface

The power supply includes a fire alarm interface that cuts power to the locks for immediate egress during an emergency. This redundancy provides an extra level of safety to assure free egress in all conditions.



# 43211-CB COMMUNICATING BATHROOM SYSTEM

## Typical Layout & Wiring –



## Physical Data –

Enclosure- 12" x 16" x 4" deep NEMA enclosure  
 43211-CB Controller – regulates two doors  
 Power Supply – Built-in 4 amp 12/24 VDC  
 FAR Interface – Fire alarm relay

## Electrical –

AC Input - Fused 110 VAC  
 DC Output - 4 amp field selectable 12 or 24 VDC

## Inputs –

Two Dry Contact Inputs for Door Status (Contact closed when is door secure)  
 Two Momentary Contact Inputs for Privacy Lock (Contact normally open)  
 One Momentary Contact Input for Emergency Release (Contact normally closed)

## Outputs –

Two Relay Outputs - SPDT powered outputs for fail-safe lock power and LED indicators

## Operation –

Bathroom doors are normally unlocked. Either door may be used to enter the room when it is unoccupied. Both doors must be closed in order to activate the privacy function and lock the doors.

Pressing either "privacy" switch when both doors are closed, energizes both door locks and turns on the "occupied" lights outside the bathroom. The "privacy" push buttons illuminate to show the user that the doors are locked.

The 43211-CB controller unlocks both doors if either door is opened, ending the privacy function and turning off the "occupied" lights. Activating the "emergency release" push button will also unlock both doors immediately. In case of a fire alarm or loss of power, both doors will automatically unlock to allow immediate egress.

Let us know if you have special requirements. Dortronics offers quick turnaround on custom controllers and hardware.

Call for additional information and pricing..

Rev-1/17



# DORTRONICS SYSTEMS, INC.

1668 Sag Harbor Tpke., Sag Harbor, NY 11963 (800) 906-0137 (631) 725-8148 Fax www.dortronics.com