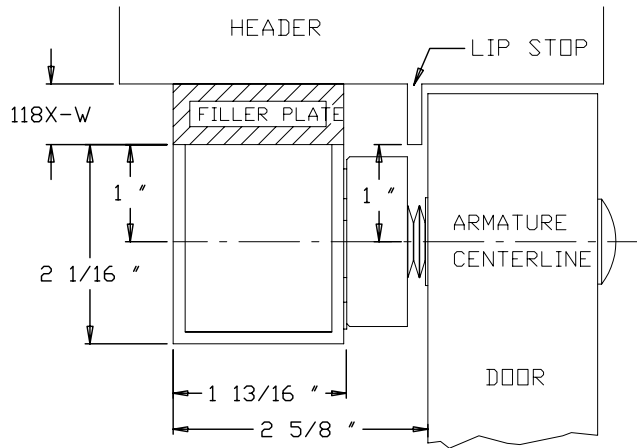


1180-W SERIES WIDE FILLER PLATE FOR FRAME WITH LIP STOP



NOTES:

THE INSTALLER IS RESPONSIBLE FOR DRILLING AND TAPPING (2) 10-32 BACK MOUNTING HOLES IN THE 1180-W FILLER. FACTORY MOUNTING HOLES ARE SHOWN IN DIAGRAM.

DETERMINE THE CORRECT SIZE 1180-W SERIES FILLER PLATE FROM THE APPLICATION BULLETIN CROSSSECTION.

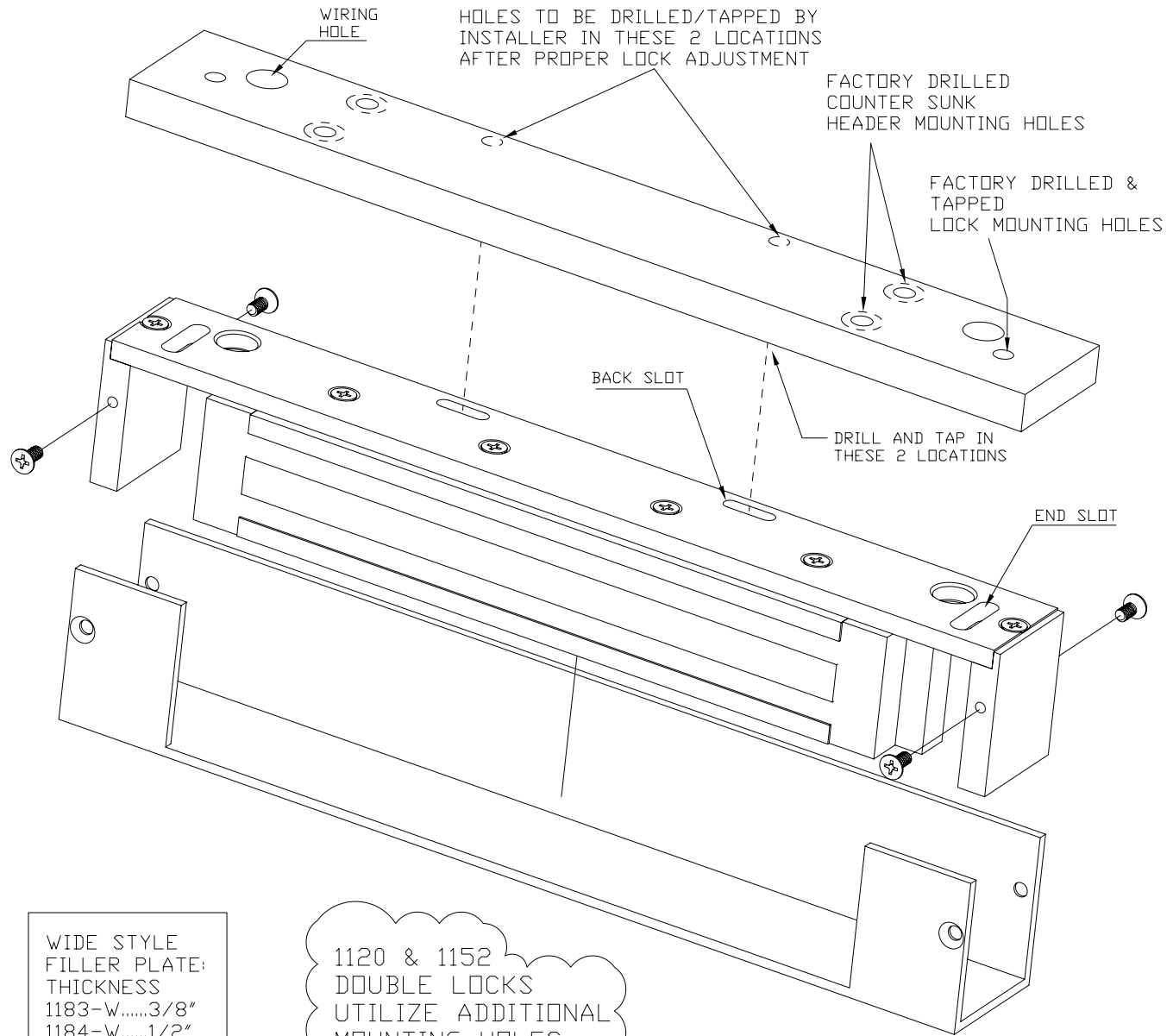
UTILIZE THE TEMPLATE PROVIDED FOR THE APPROPRIATE LOCK TO LOCATE & DRILL ARMATURE MOUNTING HOLES.

LOCATE & DRILL FOR WIRING THROUGH DOOR FRAME BY ALIGNING THE TEMPLATE WITH THE WIRING HOLE ON THE 1180-W FILLER.

MOUNT THE 1180 FILLER TO THE DOOR FRAME UTILIZING THE COUNTERSUNK HOLES AS A TEMPLATE.

USE THE (2) 1/4-20 X 1/2" SCREWS & WASHERS PROVIDED TO MOUNT THE LOCK TO THE FILLER PLATE.

INSERT THE 2 SCREWS THROUGH THE END SLOTS ON THE MAGNET (DO NOT FULLY TIGHTEN) ADJUST THE MAGLOCK IN OR OUT FROM THE DOOR TO ENSURE THAT THE MAGNET FACE MAKES FULL CONTACT WITH THE ARMATURE PLATE FACE. ENERGIZE THE MAGNET AND TIGHTEN THE 1/4-20 SCREWS. THEN MARK & DRILL FOR THE (2) 10-32 X 1/2" BACK MOUNTING SCREWS.



WIDE STYLE
FILLER PLATE:
THICKNESS
1183-W.....3/8"
1184-W.....1/2"
1185-W.....5/8"

1120 & 1152
DOUBLE LOCKS
UTILIZE ADDITIONAL
MOUNTING HOLES
& HARDWARE