



ML-1100 SERIES MORTISE LOCK & PULL

Clean Architectural Appearance

1000 Pounds of Holding Force

Tamper-proof Mounting

Totally Concealed Lock & Armature



Door shown closed

Door shown open

Versatile and Functional

The ML-1100 mortised electromagnetic locks are ideal for many different applications. These mortise locks can be utilized with the Dortronics DPA door pulls for an attractive architectural appearance, while providing unsurpassed security functionality.

Using the DPA series pull with a ML series mortise lock allows the force of the magnet to be directly opposite the direction of pull; therefore no mechanical advantage is gained when force is applied to the pull handle. There is no chance of racking the door. Steel or aluminum framed doors are susceptible to permanent damage when the lock is header mounted and the door handle is pulled repeatedly (while the door is locked).

Rugged Construction

These locks and door pulls were first utilized in New York City's Public Housing projects. The high level of use combined with the need to conform Architecturally and Functionally led to a truly tough yet appealing design. All fasteners are Stainless Steel and Tamper-proof. The design allows the ML Series lock fasteners to be totally concealed when the door is closed and locked.

Applications

In areas where aesthetics are a concern, the DPA series pull handle with the ML-1100 series lock allows concealment of the locking hardware. This pull handle is an attractive option for lobby and vestibule entrances. These pulls may be custom engraved and supplied in plated or anodized finishes.

Safe Operation

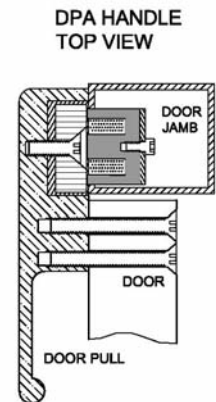
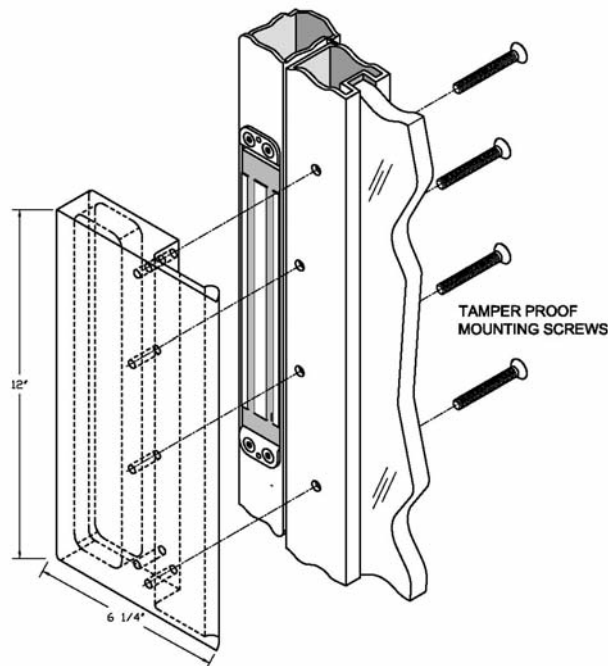
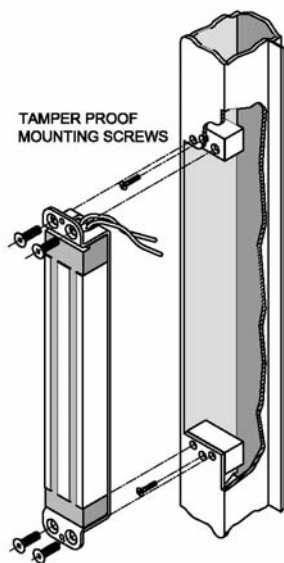
All Dortronics electromagnetic locking devices are fail-safe, releasing instantly upon command or loss of power. With no moving parts to wear, stick or bind, and no mechanical linkages to bend or break, locking and unlocking is accomplished with ease and efficiency.

Universal Control

ML series locks can be controlled individually or simultaneously from one or many locations. The status of the lock may be monitored by any card access system via the optional MBS (magnetic bond sensor) which signals that the lock is properly energized and is holding. The well confined magnetic field allows these locks to be used in computer rooms and other electronically sensitive areas.



1100 SERIES MORTISE LOCK & DOOR PULL



Specifications:

Mortise lock Models

ML-1100 - Single Door (1000 lbs. total)

Physical Size

ML-1100- 10-7/8" Long x 1-1/2" Wide x 1-3/8" deep overall

Electrical

Operating voltage

ML-1100 - 360ma @ 24 VDC
12 VDC Non-stock item
check with factory.

Door Pull Physical size

DPA1100- 12" Long x 6-1/4" Wide
x 1-3/8" Thick

Options:

xB - Dual magnetic bond sensors detect improper armature mating or lack of sufficient lock power to provide rated holding force.

Finish:

ML Series Mortise locks have a Stainless Steel mounting bracket, & Zinc Plated magnetic core and armature for Corrosion protection.

Custom Door Pull Finishes:

xDBA - Dark Bronze Anodize
xSBA - Satin Black Anodized
xUS3 - Polished Brass
xUS4 - Satin Brass
xUS26 - Polished Chrome
xUS26D - Satin Chrome

Custom Engraving Available:

Check with factory.

Installation:

The ML series mortised electromagnetic locks are mounted by cutting a hole into the door frame per the template provided. All wiring connections are made to the flying leads from the magnet. Two lock mounting blocks are then attached to the frame utilizing one of the three tapped holes. The ML series magnet is then attached to the mounting blocks via the remaining tapped holes.

DPA Door Pull Mounting:

Utilizing the template provided, drill thru the door edge in 4 places. Mount the pull handle with the tamper-proof hardware. A specially designed shoulder screw is provided to insure proper floating action of the door mounted armature which is factory installed.